



SMART PORT LED

KTSL-FC3-12V-PKO-PIR

BLUETOOTH WIRELESS SMART PORT LUMINAIRE CONTROLLER AND SENSOR

DESCRIPTION

Bluetooth mesh wireless Smart Port LED controller for SmartLoop system with integrated daylight and PIR motion sensor.

APPLICATION

Ideal for warehouses, gymnasiums, corridors, and parking garages. Installs directly into Smart Port Gen 2 compatible Keystone products.



5 YEAR
WARRANTY



PRODUCT FEATURES

- For use with Smart Port Gen 2 compatible Keystone products
- Integrated motion and dynamic daylight sensor
- Commissioned via SmartLoop mobile app for iPhone and Android
- Controlled via SmartLoop mobile app, keypad, and sensors
- Utilizes Bluetooth mesh technology for reliable and secure wireless communication
- Power outage recovery defaults to automatic on state
- Indicator LED communicates device status

ELECTRICAL SPECIFICATIONS

Input Voltage	10-15VDC
Power Consumption	<0.5W
RF Transmit Power	8dBm
Max 0–10V Sinking Current	10mA
Wireless Frequency	2.4GHz
Wireless Range (Open Air)	100m
Wireless Protocol	Bluetooth 4.2
Sensor Detection Height	40' max
Sensor Detection Angle	120°
Daylight Harvesting Range	0-2000 lux

ENVIRONMENTAL SPECIFICATIONS

Operating Temperature	-25°C/-13°F to 60°C/140°F
Storage Temperature	-40°C/-40°F to 80°C/176°F
Humidity	10-85%
Lifetime Rating	>100,000 hrs
Moisture and Dust Rating	IP65

FACTORY SETTINGS

Photo Sensor	Enabled
Motion Sensitivity	100%
Motion Sensor	Enabled
Motion Mode	Occupancy
Hold Time	20m
Standby Time	1m
Standby Percentage	50%

SAFETY AND EMC COMPLIANCE

UL/cUL	UL8750
FCC	Part 15.247

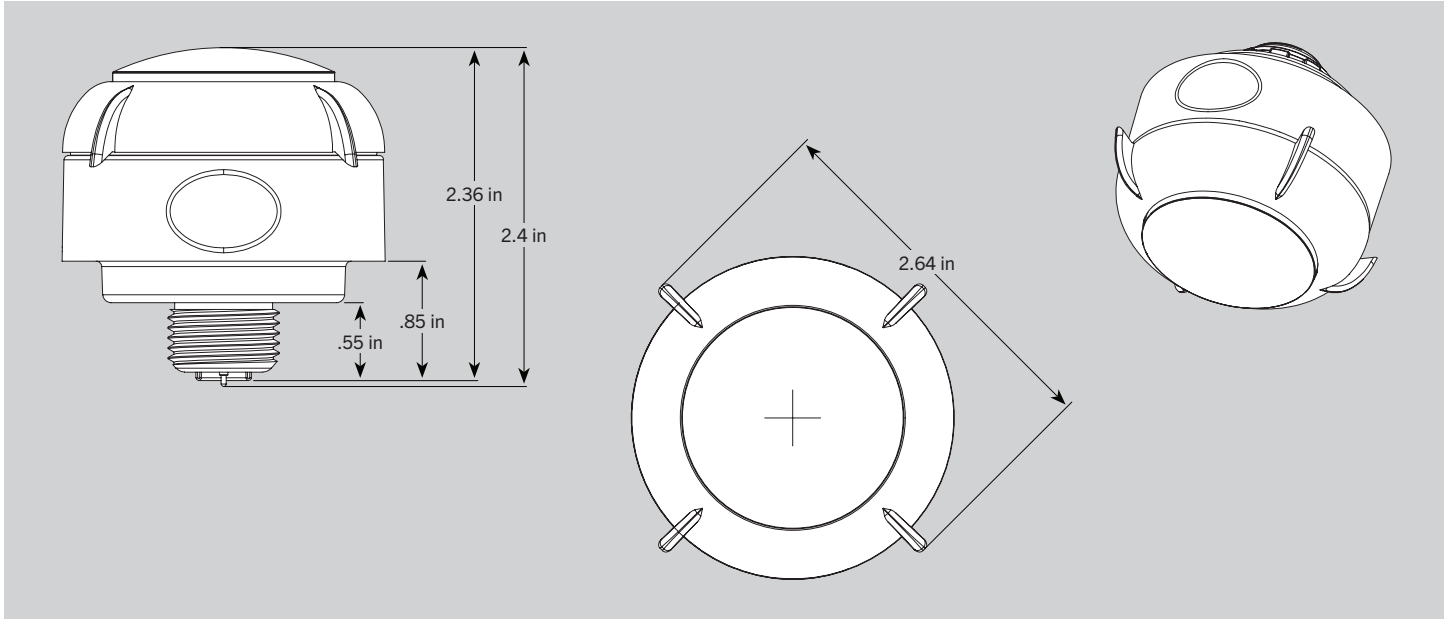


SMART PORT LED

KTSL-FC3-12V-PKO-PIR

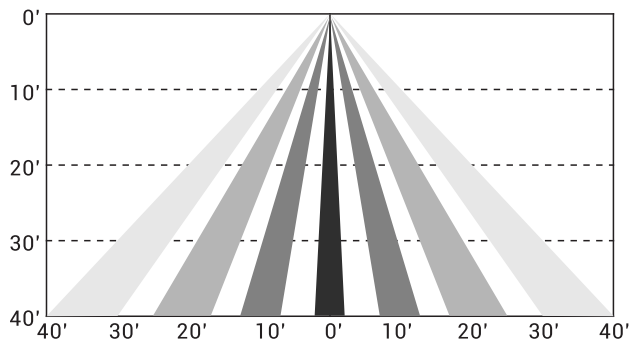
BLUETOOTH WIRELESS SMART PORT LUMINAIRE CONTROLLER AND SENSOR

PHYSICAL SPECIFICATIONS

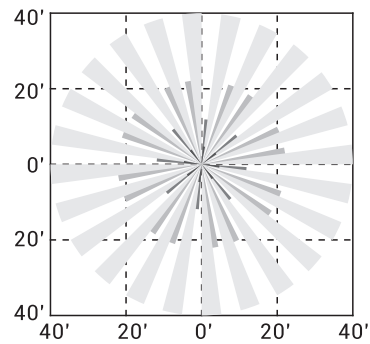


LENS COVERAGE

HBL1 Coverage Side View



HBL1 Coverage Top View





SMART PORT LED

KTSL-FC3-12V-PKO-PIR

BLUETOOTH WIRELESS SMART PORT LUMINAIRE CONTROLLER AND SENSOR

FACTORY RESET

Decommissioning can be done by deleting a controller from the region, a power reset sequence, or by using the reset button for certain models.

In the app:

The phone/tablet must be connected to the device through the mesh network in order for the controller to be factory reset. Otherwise, the light will simply be removed from the region in the app, and the controller will need to be factory reset using one of the other methods below.

1. Go to the Lights page.
2. Press Select and check the desired lights to decommission.
3. Press Delete and confirm.

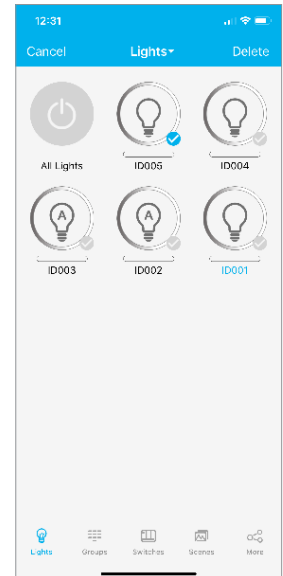
Power cycle reset sequence:

If a controller is assigned to another region, it will not appear when searching for new fixtures. Perform the below power cycle sequence to factory reset the controller.

1. Power on for 1 second, then off for 10 seconds.
2. Power on for 1 second, then off for 10 seconds.
3. Power on for 1 second, then off for 10 seconds.
4. Power on for 10 seconds, then off for 10 seconds.
5. Power on for 10 seconds, then off for 10 seconds.
6. Turn the light back on. The device should now be decommissioned and ready to add to a region.

Reset button:

While installed in a powered lamp, press and hold reset button for 3 seconds to initiate a factory reset.



ORDERING INFORMATION

ORDER CODE	PACK QTY.	EASY CODE	UPC
KTSL-FC3-12V-PKO-PIR	20	OCW-60	843654138862

CATALOG NUMBER BREAKDOWN

KTSL-FC3-12V-PKO-PIR

1 2 3 4 5 6 7

- 1 Keystone Technologies SmartLoop
- 2 Fixture Controller
- 3 Design Style 3
- 4 Low Voltage
- 5 Pin Connection
- 6 Knock Out
- 7 PIR Sensor Type