



SINCE 1945
KEYSTONE
LIGHT MADE EASY®

Light Weight. Heavy Duty.



**LED Temporary
High Bay Fixture**

**75% More Energy Efficient
than Metal Halide**



ARMOR LIGHT

ARMOR LIGHT

TEMPORARY LED HIGH BAY FIXTURE



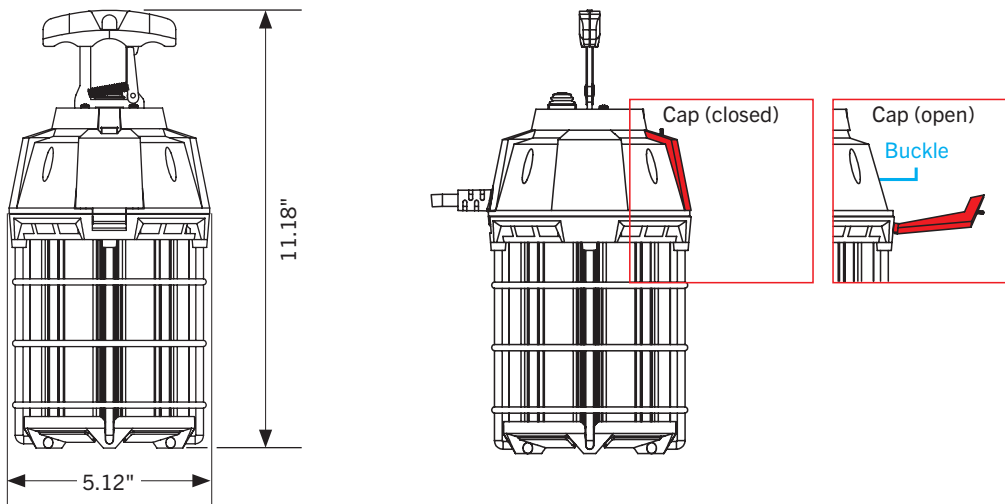
PRODUCT FEATURES

- Power Select Technology Offers 3 Different Lumen Outputs
- Omni-Directional Light Distribution
- SmartCool Technology: No Internal Fan for Cooling
- Efficacy: 110 lm/W
- 6KV Surge Protection
- Strong, Durable Construction
- Includes a 6' Cord and Clip for Maximum Versatility
- Linkable, Allows for Connecting Multiple Fixtures
- Suitable for Construction Areas, Outdoor Activity Lighting
- IP64 Rated
- Lightweight
- Isolated Driver for Better Heat Dissipation
- Driver with Heat Sink Silicone is Waterproof, Dust-Proof, and Anti-Mosquito
- Operating Temperature: -30C/-22F - 60C/140F

PERFORMANCE SPECIFICATIONS

Catalog Number	Selectable Wattage	Total Lumens	Efficacy	Input Voltage	CRI	Available CCT
KT-TFLED100PS-850	100W	11000	110 lm/W	120V	>80	5000K
	80W	8800				
	60W	6600				

DIMENSIONS



Specifications subject to change. Last revised on 12.3.21