



# KT-LED10RD-6C-9CSF-DIM

## 5" / 6" DOWNLIGHT RETROFIT TRIM

### DESCRIPTION

5" / 6" Downlight Retrofit Trim | Color Select Technology | Quick-Disconnect E26 Base

### APPLICATION

Ideal for residential, hospitality, retail, and other retrofit and new construction applications



### PRODUCT FEATURES

- Keystone Color Select technology offers SKU reduction and allows for easy, on-the-job adjustments: 2700K, 3000K, 3500K, 4000K, 5000K
- Includes quick-disconnect E26 base adaptor for easy install in retrofit applications
- Offers improved aesthetics vs. screw-in lamps while using the same easy, screw-in installation
- Ideal for retrofit, new construction, and remodel applications
- Suitable for a wide range of existing recessed can fixtures
- Smooth reflector trim offers clean, modern appearance
- Diffused lens reduces glare
- Interchangeable trims available in matte black, brushed nickel, and bronze
- Powered by Keystone TRIAC dimming LED driver; 10–100% dimming
- Ambient operating temperature: –20°C/–4°F to 40°C/104°F
- Suitable for use in wet locations
- Power factor: >0.90
- THD: <20%
- FCC Part 15, Subpart B, Class B
- CEC Compliant Flicker Rate (CEC JA10 std.)

### PERFORMANCE SPECIFICATIONS

Catalog Number	Input Voltage	Wattage	CCT (Selectable)*	Lumen Output	Efficacy	CRI	Power Factor	Beam Angle	Lifetime
KT-LED10RD-6C-9CSF-DIM	120V	10.5W	2700K	920	88 lm/W	>90	>0.9	95°	50,000 hrs
			3000K	940	90 lm/W				
			3500K	960	91 lm/W				
			4000K	960	91 lm/W				
			5000K	940	90 lm/W				

\* Preset to lowest CCT: 2700K

Color Uniformity: CCT (Correlated Color Temperature) range as per guidelines outlined in ANSI C78.377-2017

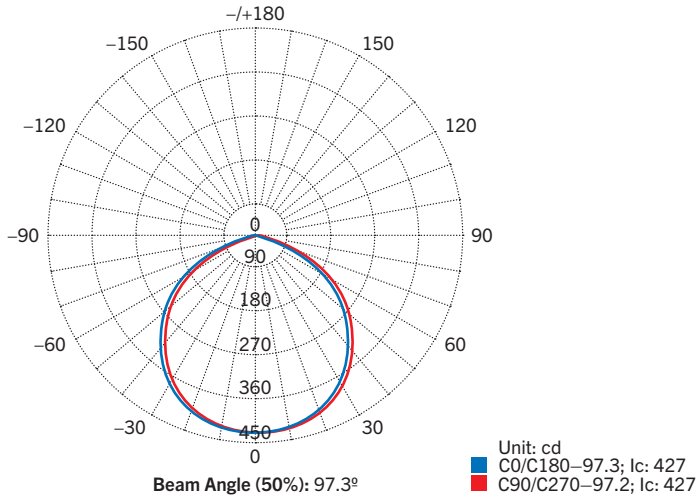


# KT-LED10RD-6C-9CSF-DIM

## 5" / 6" DOWNLIGHT RETROFIT TRIM

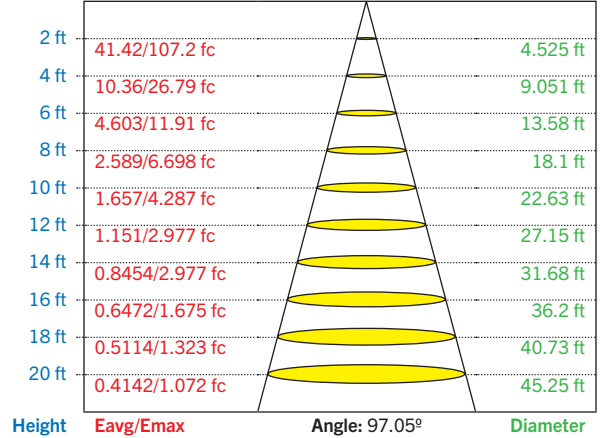
### PHOTOMETRIC SPECIFICATIONS

#### POLAR CANDELA DISTRIBUTION



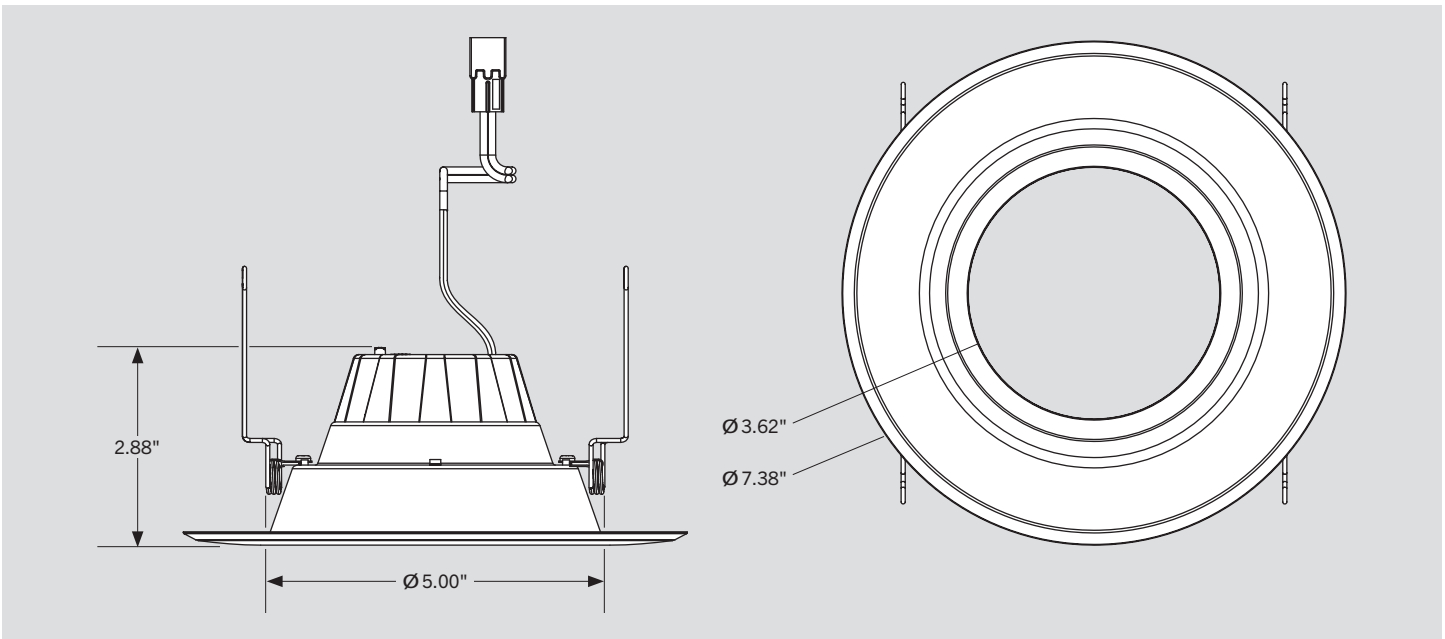
#### LUX DISTANCE CURVE

Flux Out: 688.9 lm



Curves show illuminated area and average illumination when lamp is at various distances.

### PHYSICAL SPECIFICATIONS

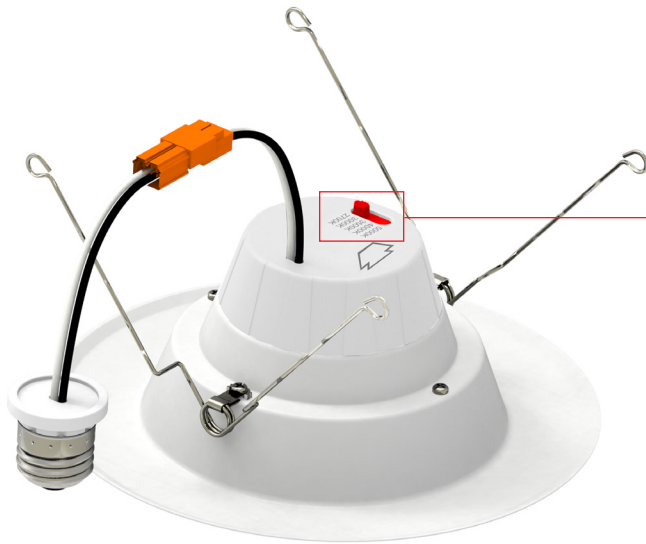


## KT-LED10RD-6C-9CSF-DIM 5" / 6" DOWNLIGHT RETROFIT TRIM

### COLOR SELECT (CCT) ADJUSTMENT

This fixture is equipped with field-adjustable Keystone Color Select technology.

1. Ensure power is off to the fixture.
2. Adjust dip switch to desired setting.

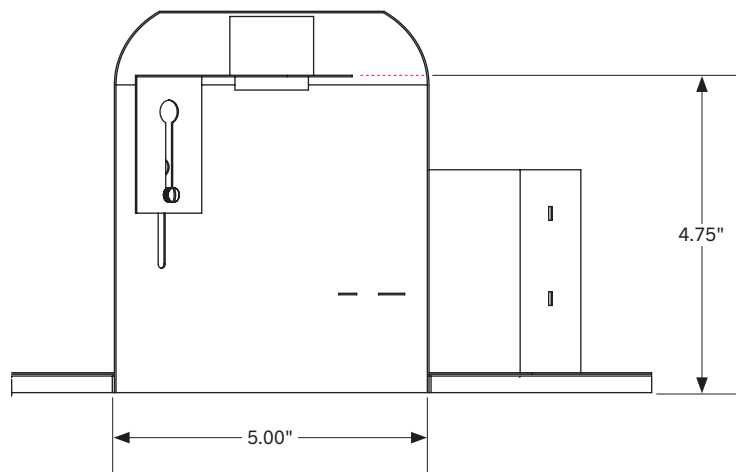


#### COLOR SELECT ADJUSTMENT SWITCH

Set dip switch to adjust CCT between 2700K, 3000K, 3500K, 4000K, and 5000K. Fixture comes preset at 2700K.

### INSTALLATION INSTRUCTIONS

The existing luminaire housing must be equal to or larger than over-all inner dimensions illustrated below.



*(Installation Instructions continued on next page)*

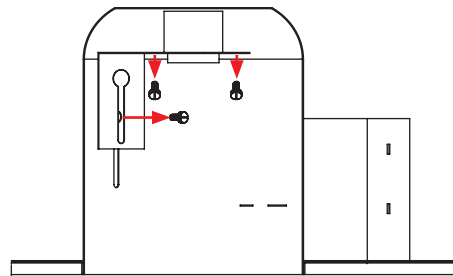
## KT-LED10RD-6C-9CSF-DIM 5" / 6" DOWNLIGHT RETROFIT TRIM

### INSTALLATION INSTRUCTIONS (continued)

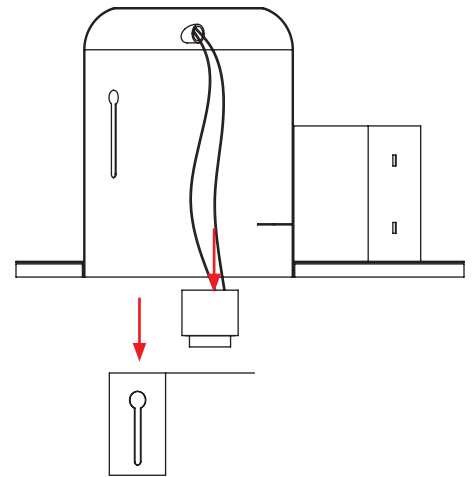
- 1. Shut off power at the source of the recessed housing into which you are installing fixture.** Remove existing trim and CFL or incandescent bulb.

*Note:* Follow all federal and local regulations when disposing of lamps and removed components.

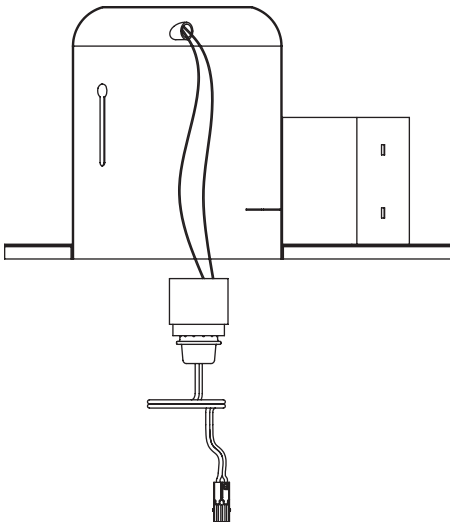
- 2. Unscrew the screws on socket bracket; push bracket upward to the top.**



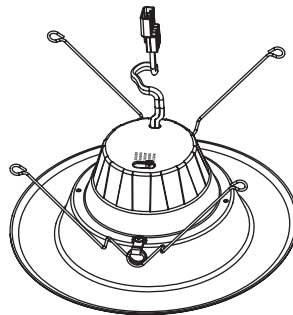
- 3. Remove existing socket mounting plate from the housing, then remove lamp socket from the plate.**



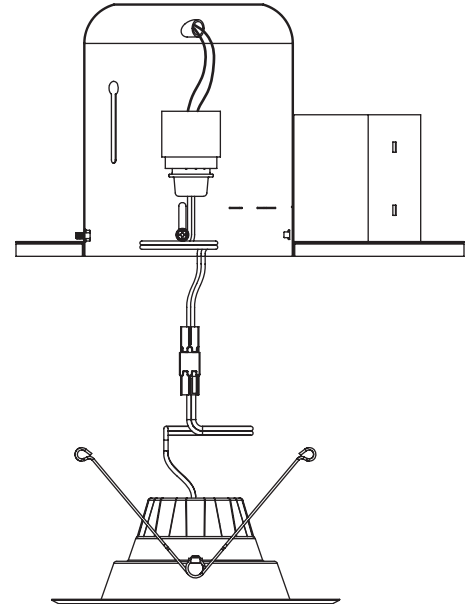
- 4. Screw E26 adaptor into the socket.**



- 5. Select desired CCT using adjustment switch on driver box (see *Color Select (CCT) Adjustment* on page 3).**



- 6. Plug E26 base cable connection into the recessed housing.**

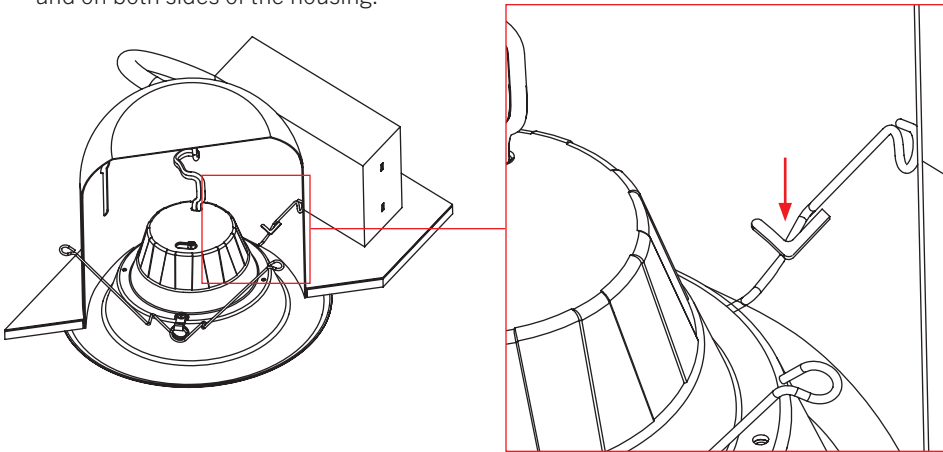


(Installation Instructions continued on next page)

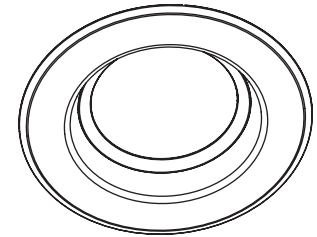
## KT-LED10RD-6C-9CSF-DIM 5" / 6" DOWNLIGHT RETROFIT TRIM

### INSTALLATION INSTRUCTIONS (continued)

7. Squeeze torsion springs as shown and install into the metal brackets inside the recessed housing. For proper installation, the torsion springs should be seated within the brackets and on both sides of the housing.



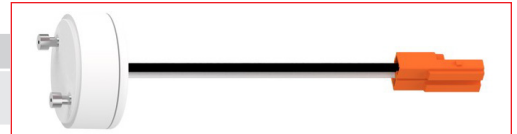
8. Carefully place wires into housing, then push the LED trim into the housing until trim is flush with ceiling.



### OPTIONAL ACCESSORIES (sold separately)

#### GU24 ADAPTOR

Catalog Number	Description	UPC	Easy Code
KT-ADPT-RD-GU24	GU24 Adaptor for downlight retrofit trim	843654137568	WTQ-04



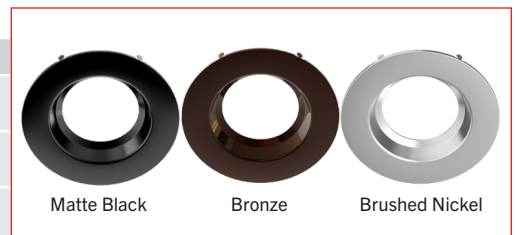
#### TORSION-SPRING ADAPTOR

Catalog Number	Description	UPC	Easy Code
KT-ADPT-RD-6C-TS	Torsion-spring adaptor for 5" / 6" downlight retrofit trim	843654137667	GGR-44



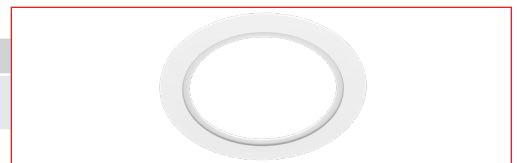
#### INTERCHANGEABLE TRIM

Catalog Number	Description	UPC	Easy Code
KT-TRIM-RD-6C-MB	Interchangeable trim for 5" / 6" circular downlight retrofit trim; Matte black	843654137582	OGP-16
KT-TRIM-RD-6C-BR	Interchangeable trim for 5" / 6" circular downlight retrofit trim; Bronze	843654137605	MGF-76
KT-TRIM-RD-6C-BN	Interchangeable trim for 5" / 6" circular downlight retrofit trim; Brushed nickel	843654137629	JPJ-80



#### GOOF RING

Catalog Number	Description	UPC	Easy Code
KT-GOOF-RD-6C	Goof ring for 5" / 6" circular downlight; 10.51" diameter	843654137643	ECX-08





# KT-LED10RD-6C-9CSF-DIM

## 5" / 6" DOWNLIGHT RETROFIT TRIM

### ORDERING INFORMATION

Catalog Number	Pack Qty.	UPC	Easy Code
KT-LED10RD-6C-9CSF-DIM	1	843654137421	KAN-15

### CATALOG NUMBER BREAKDOWN

# KT-LED10RD-6C-9CSF-DIM

1 2 3 4 5 6 7 8 9 10

- 1 Keystone Technologies
- 2 LED Technology
- 3 Wattage
- 4 Fixture Type
- 5 Nominal Size
- 6 Shape
- 7 CRI
- 8 Special Indicator
- 9 Color Select Designation
- 10 Dimming

#### 4 Fixture Type

RD	Recessed Downlight
----	--------------------

#### 5 Nominal Size

6	5" / 6" Nominal
---	-----------------

#### 6 Shape

C	Circular
---	----------

#### 7 CRI

9	90
---	----

#### 8 Special Indicator

CS	Color Select Technology
----	-------------------------

#### 9 Color Select Designation

F	2700K, 3000K, 3500K, 4000K, 5000K
---	-----------------------------------

#### 10 Dimming

DIM	TRIAC Dimmable
-----	----------------