



ADVANTA

ADVANTARMT

ADVANTAEMRG

CIRCA

KT-RDLED-PLATE-1

NEW CONSTRUCTION PLATE FOR DOWNLIGHTS

DESCRIPTION

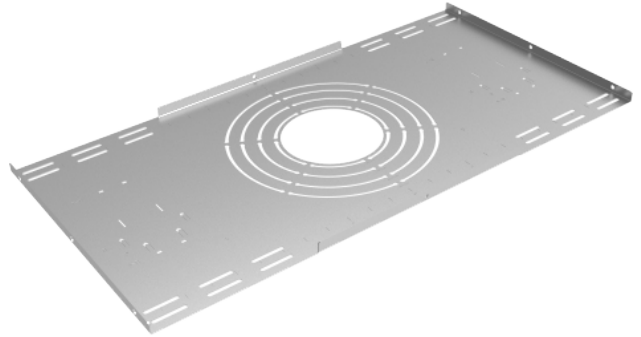
New construction mounting plate for Keystone's Advanta and Circa downlights* | Made from Galvanized Steel

APPLICATION

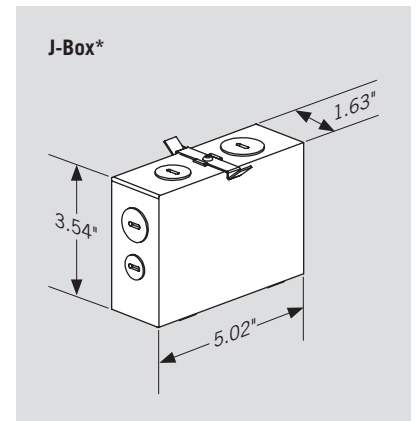
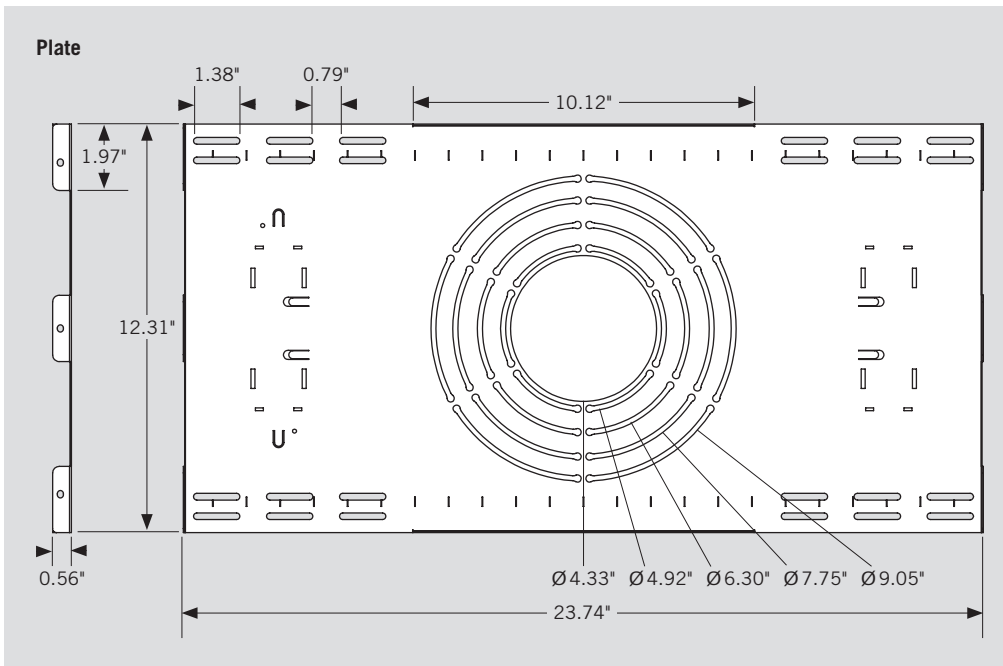
Works for both new construction joist and T-grid applications



*Not compatible with 8" Circa items



PHYSICAL DIMENSIONS



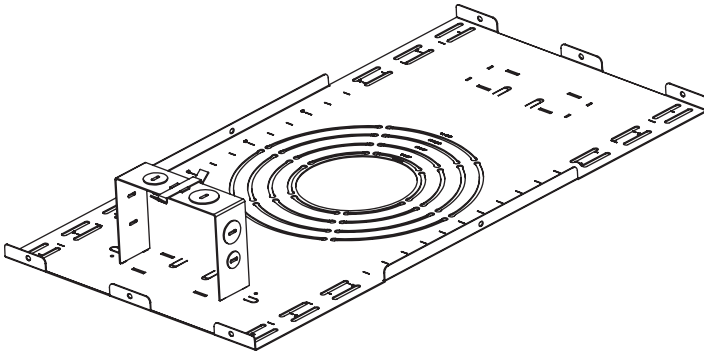
*J-Box sold separately.

KT-RDLED-PLATE-1

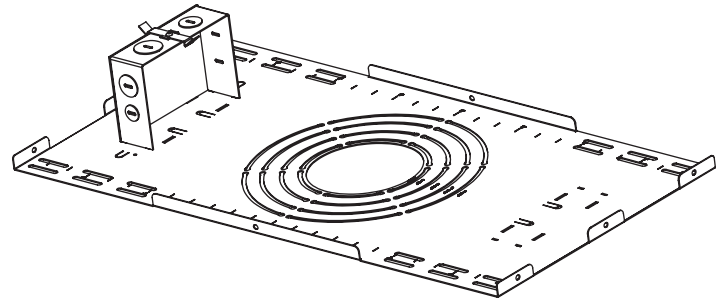
NEW CONSTRUCTION PLATE FOR DOWNLIGHTS

Installation of J-Box* onto New-Construction Plate

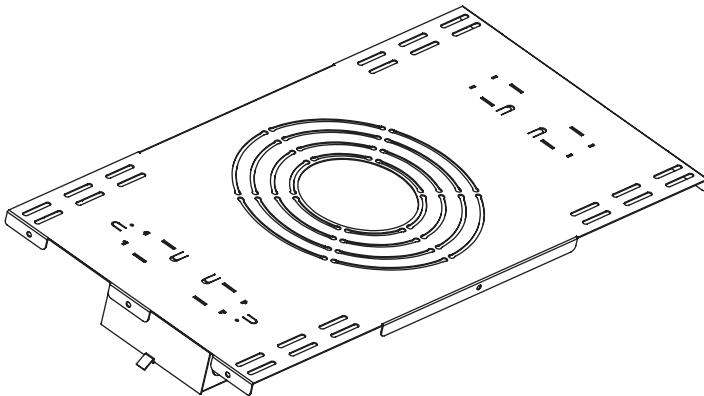
1. Insert bottom tabs of J-box into correct holes of plate.



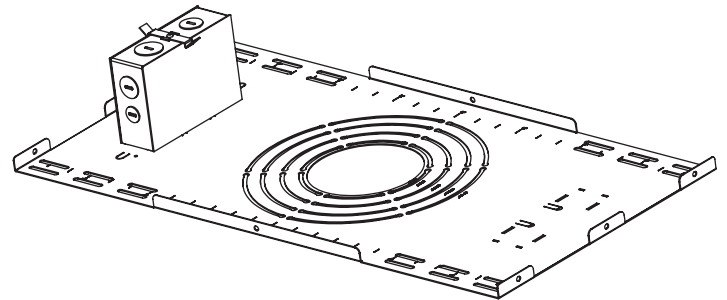
2. Insert side plates into J-box.



3. Underneath plate, bend J-box tabs with pliers to secure J-box to plate.



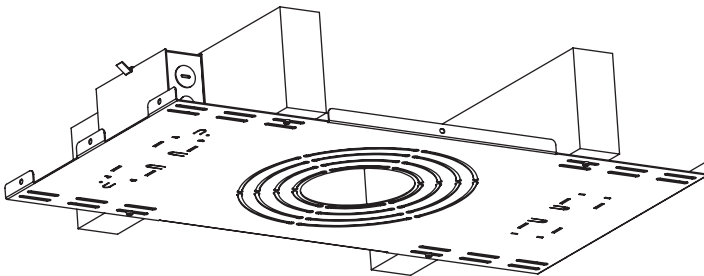
4. Installation complete.



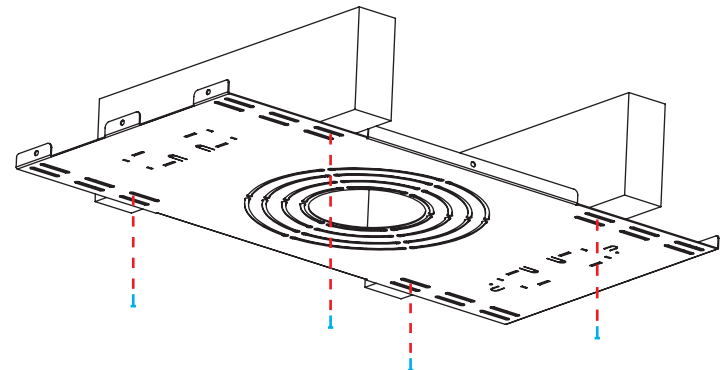
*J-box sold separately. Not needed for Circa, Advanta RMT, or Advanta EMRG items.

Installation of Plate With Ceiling Joists

1. Align new-construction plate with ceiling joists.



2. Secure plate to joists with appropriate screws (not included).



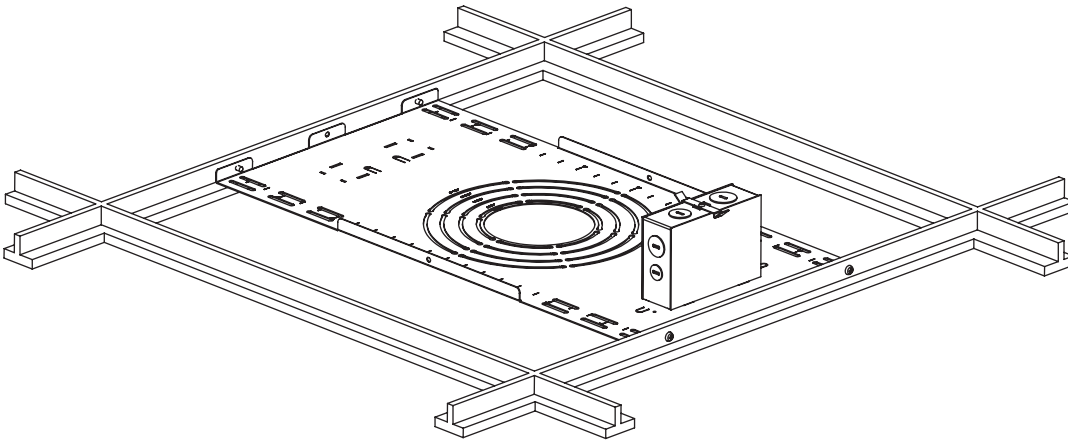
Note: Plate comes out of the box ready to be installed onto joists that have 12" or 16" spacing. To fit plate onto joists that have 24" spacing, simply bend down end tabs and screw to joists.

KT-RDLED-PLATE-1

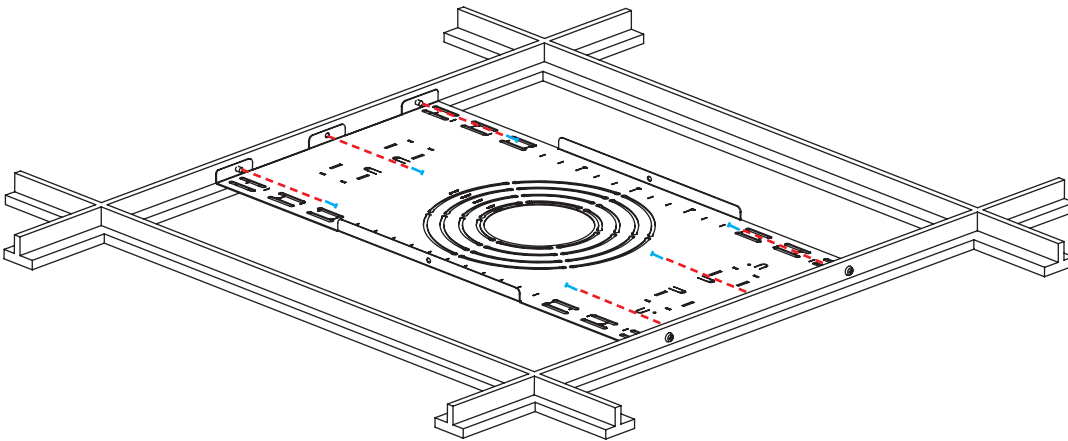
NEW CONSTRUCTION PLATE FOR DOWNLIGHTS

Installation of Plate With T-Grid

1. Lay new-construction plate into T-grid.



2. Secure plate to T-grid with appropriate screws (not included).





ADVANTA

ADVANTARMT

ADVANTAEMRG

CIRCA

KT-RDLED-PLATE-1

NEW CONSTRUCTION PLATE FOR DOWNLIGHTS

ORDERING INFORMATION

ORDER CODE	DESCRIPTION	EASY CODE	UPC
KT-RDLED-PLATE-1	New-construction plate for LED downlights	BMS-81	843654137285
KT-RDLED-JBOX-1-KIT	Junction box for LED downlights	HJA-70	843654137278

CATALOG NUMBER BREAKDOWN

KT-RDLED-PLATE-1

1 2 3 4

- 1 Keystone Technologies
- 2 Recessed Downlight LED
- 3 Construction Plate
- 4 Option 1