



KT-RWDLED150-17C-8XX-VDIM-P

WASHDOWN LED Highbay Fixture

DESCRIPTION

Round washdown LED high bay fixture, wet location, food safety rated

APPLICATION

Used for commercial, industrial, and food processing high bay lighting applications



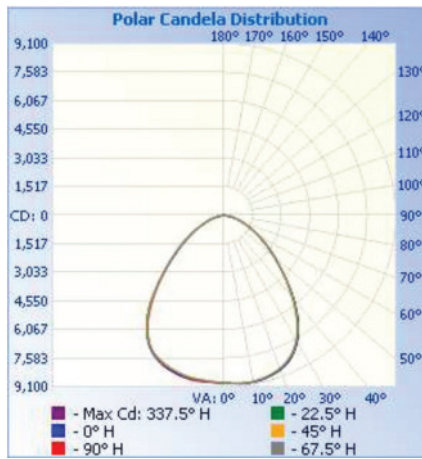
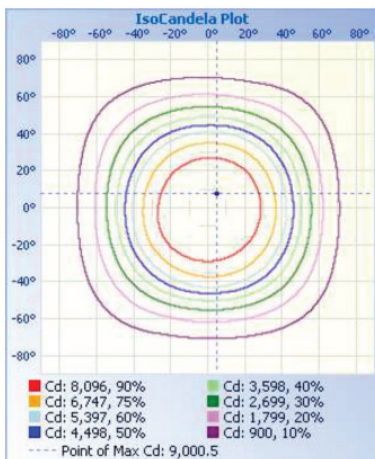
PRODUCT FEATURES

- IP69K rated: Wet location for high pressure cleaning
- ETL Sanitation listed: NSF/ANSI standard 2 food equipment (splash zone and non-food zone)
- Powered by Keystone 0-10V dimming LED driver
- Ambient operating temperature: -40°C to 40°C
- LED lifetime, L70 >100,000 hours @ 25°C fixture ambient
- Ring bolt mounting accessory included
- 0-10V dimming, 10% minimum
- THD:<20%
- 6' cord for input and dimming wires

PERFORMANCE SPECIFICATIONS

Catalog Number	Input Voltage	Wattage	Color Temperature	Lumen Output	CRI	Power Factor	Efficacy	Beam Angle
KT-RWDLED150-17C-840-VDIM-P	120-277V	150W	4000K	19,500lm	>82	>.92	130lm/W	90°
KT-RWDLED150-17C-850-VDIM-P	120-277V	150W	5000K	19,800lm	>82	>.92	132lm/W	90°

PHOTOMETRIC SPECIFICATIONS



Zonal Lumen Summary		
Zone	Lumens	% Luminaire
0-30	7,205.4	36.6%
0-40	11,524.4	58.5%
0-60	17,564.2	89.2%
60-90	2,068.4	10.5%
70-100	642.1	3.3%
90-120	12.0	0.1%
0-90	19,632.5	99.7%
90-180	53.2	0.3%
0-180	19,685.8	100%



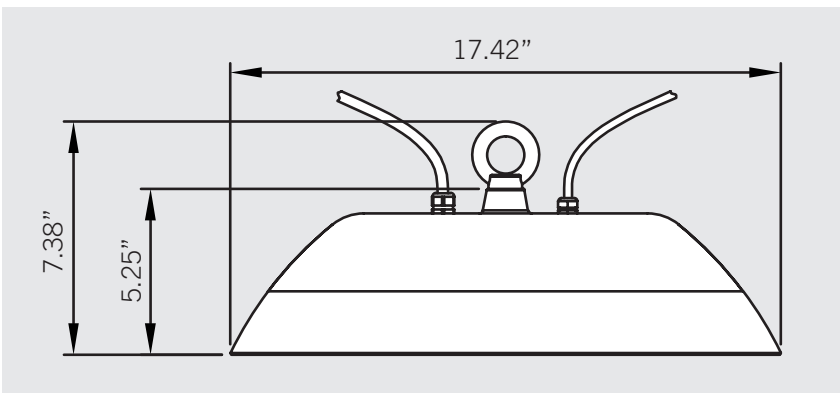
KT-RWDLED150-17C-8XX-VDIM-P

WASHDOWN LED HIGHBAY FIXTURE

ACCESSORIES (SOLD SEPARATELY)

Order Code	Description	UPC	Easy Code
KT-RWD-JHOOK	Washdown High Bay J-Hook Adapter	843654122694	FFT-70
KT-RWD-PM	Washdown High Bay Pole Pendant Adapter. Designed for 3/4" NPT	843654122687	WAJ-38

PHYSICAL SPECIFICATIONS



ORDERING INFORMATION

Order Code	Packaging Style	Pack Quantity	Item Status
KT-RWDLED150-17C-840-VDIM-P	Carton Pack	1	Active
KT-RWDLED150-17C-850-VDIM-P	Carton Pack	1	Active

CATALOG NUMBER BREAKDOWN

KT-RWDLED150-17C-8XX-VDIM-P

1 **2** **3** **4** **5** **6** **7** **8**

- 1** Keystone Technologies
- 2** Round Washdown LED High Bay
- 3** Wattage
- 4** 17" Diameter
- 5** 800 Series
- 6** Color Temperature
- 7** 0-10V Dimming
- 8** Premium Series