

# KT-FLED290PS-R2X-UNV-8CSB-VDIM

## HIGH POWER FLOODLIGHT

**DESCRIPTION**

High Power Floodlight | Power Select | Color Select | 120-277V | 80 CRI | Bronze Housing

**APPLICATION**

Ground, pole, or building mount applications (parking lots, auto dealerships, building facades, signs, recreational venues, general area lighting)

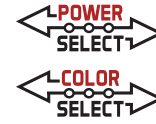


**PRODUCT FEATURES**

- High power floodlight with innovative design based on established floodlight principles
- Suitable for ground, pole, or building mount applications
- Keystone Power Select technology (290/210W)
- Keystone Color Select technology (3000/4000/5000K)
- Heavy-duty slipfitter and trunnion mount options included
- 3-pin twist lock photocell and shorting cap included with NEMA/ANSI C136.10 3-pin twist lock receptacle
- Precision-crafted optics lens. NEMA 7H x 6V, 6H x 6V, and 5H x 5V available. See below chart for details
- Die cast aluminum housing, with optional glare shield accessory (sold separately)
- Keystone 0-10V dimming driver with 12V AUX power tap and 6kV surge protection
- Ambient operating temperature: -40°C/-40°F - 50°C/122°F
- UL and DLC 5.1 listed, IP65 rated
- Power factor: >.95
- THD: <20%
- LED chip lifetime: L70 >100,000 hrs @ 25°C/77°F ambient fixture temperature
- Meets FCC Part 15, Part B, Class A standards for conducted and radiated emissions

**PRODUCT SPECIFICATIONS**

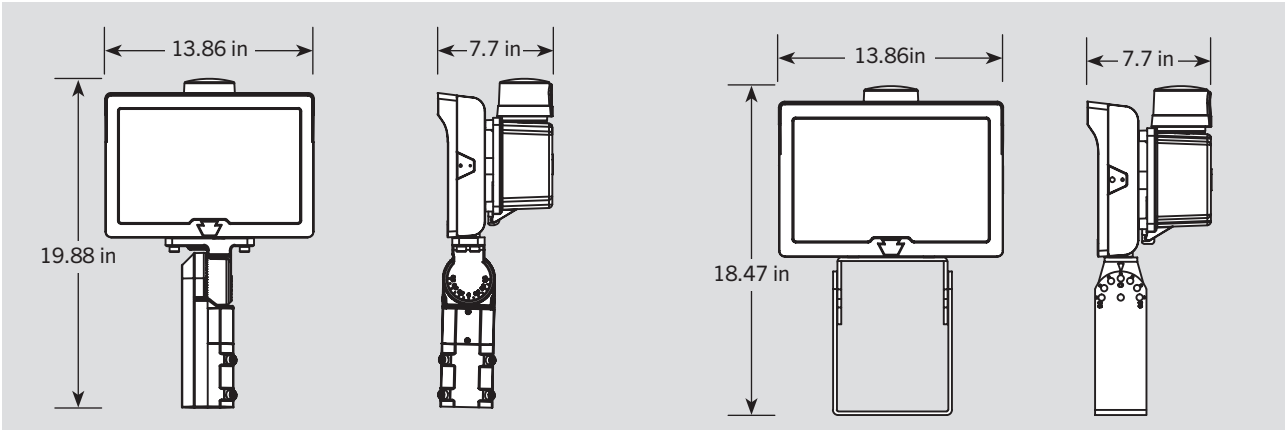
Catalog Number	Selectable Wattage	Selectable CCT	Lumen Output	Efficacy	Input Voltage	CRI	Dimming	Mounting	Dist Pattern	Photocell	Rated Life	Legacy Equivalent
KT-FLED290PS-R2B-UNV-8CSB-VDIM	290W	3000K	34800	120 lm/W	120 - 277V	>80	0-10V	Universal: 2 3/8" Slip Fitter or Trunnion	7H x 6V	Included	50,000 Hours	1000W MH
KT-FLED290PS-R2C-UNV-8CSB-VDIM		4000K	40600	140 lm/W					6H x 6V			
KT-FLED290PS-R2D-UNV-8CSB-VDIM	210W	5000K	37700	130 lm/W								
		3000K	27300	130 lm/W					5H x 5V			
		4000K	29400	140 lm/W								
		5000K	28350	135 lm/W								



# KT-FLED290PS-R2X-UNV-8CSB-VDIM

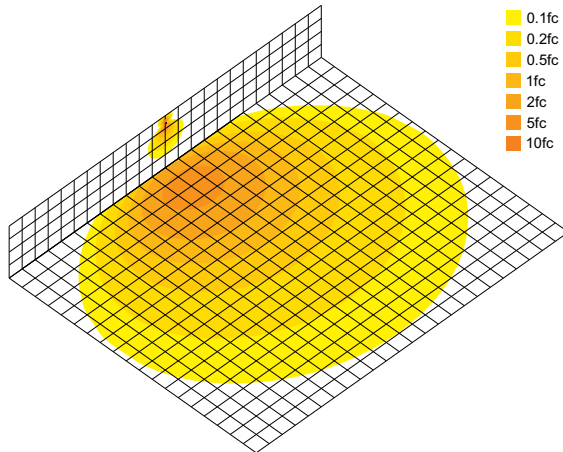
## HIGH POWER FLOODLIGHT

### PHYSICAL SPECIFICATIONS



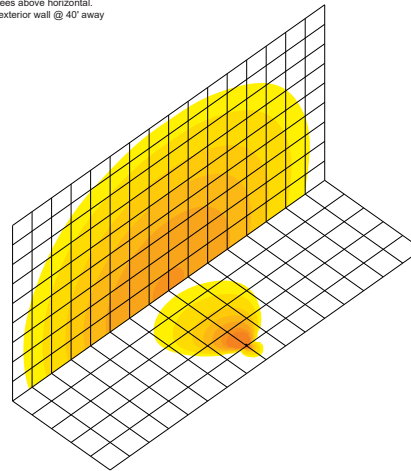
### PHOTOMETRICS

290W 5000K Building Mount: Building exterior mounted at 35°, 30 degrees below horizon



- 0.1fc
- 0.2fc
- 0.5fc
- 1fc
- 2fc
- 5fc
- 10fc

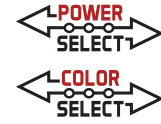
290W 5000K Ground Mount: 6" above ground, 10 degrees above horizontal. Shining towards building exterior wall @ 40° away



- 0.1fc
- 0.2fc
- 0.5fc
- 1fc
- 2fc
- 5fc
- 10fc

### EXPLODED VIEW





# KT-FLED290PS-R2X-UNV-8CSB-VDIM

## HIGH POWER FLOODLIGHT

### ORDERING INFORMATION

Catalog Number	Easy Code	UPC
KT-FLED290PS-R2B-UNV-8CSB-VDIM	PFX-43	843654138657
KT-FLED290PS-R2C-UNV-8CSB-VDIM	TBD	TBD
KT-FLED290PS-R2D-UNV-8CSB-VDIM	TBD	TBD

### ACCESSORIES (SOLD SEPARATELY)

Catalog Number	Description
KT-FLED-GS-R2-2-KIT	Glare shield for 290W Fixture

### CATALOG NUMBER BREAKDOWN

# KT-FLED290PS-R2X-UNV-8CSB-VDIM

- 1** Keystone Technologies
- 2** Floodlight LED
- 3** Max Wattage
- 4** Power Select
- 5** Shape
- 6** Style
- 7** Distribution
- 8** Mounting
- 9** 80 CRI
- 10** Color Select
- 11** Color Select Designation
- 12** 0-10V Dimming

**5 Shape**

<b>R</b>	Rectangular
----------	-------------

**8 Mounting**

<b>UNV</b>	Universal
------------	-----------

**6 Style**

<b>2</b>	Series 2
----------	----------

**11 Color Select Designation**

<b>B</b>	3000/4000/5000K
----------	-----------------

**7 Distribution**

<b>B</b>	NEMA 7H x 6V Beam Spread
<b>C</b>	NEMA 6H x 6V Beam Spread
<b>D</b>	NEMA 5H x 5V Beam Spread