



KT-EMRG-LED-40SD-5000-CEN /SF

LED EMERGENCY BACK-UP DRIVER

DESCRIPTION

LED Emergency Back-Up for UFO High Bays | 120-277V input

DRIVER TYPE: LED Emergency Converter
MAX. OUTPUT POWER: 40W
INPUT VOLTAGE: 120-277Vac \pm 10%
SAFETY STANDARD: UL 924, Complies with CEC Title 20 Efficiency Standards
OUTPUT VOLTAGE: 150~200Vdc
OUTPUT CURRENT: 200-270mA
WARRANTY: 5 Years

5 YEAR
WARRANTY



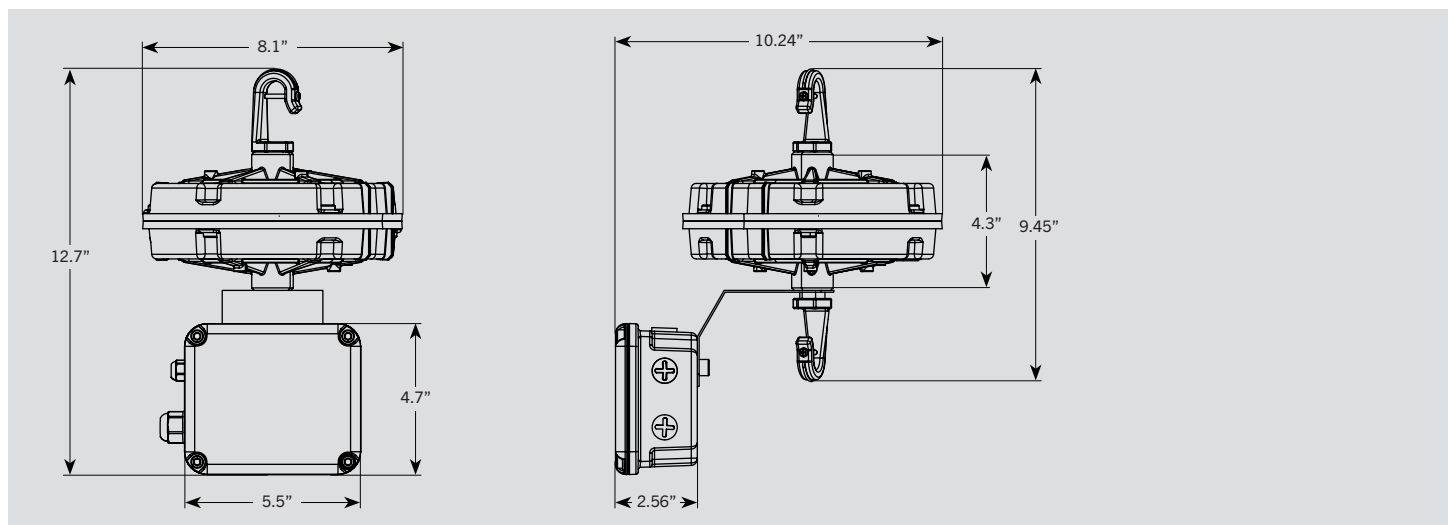
PRODUCT FEATURES

- Emergency driver for use on a wide range of LED fittings to convert them from standard to emergency fitting
- One Piece 40W Constant Wattage Design with Self Diagnostics
- Single Flex Cable with Included J-Box
- CEC T20 Compliant
- Includes Instructions, J-Box, Test Remote, and Wiring Accessories
- Ambient operating temperature: 10°C/°F to 60°C/°F
- UL Listed for dry/damp locations
- IP65 Protection
- Output DC 150-200V
- Deep discharge protection
- Not intended for use in luminaires for high-risk task area lighting

PRODUCT SPECIFICATIONS

Family	INPUT CHARACTERISTICS			OUTPUT CHARACTERISTICS		
	Input Voltage	Power Factor	Max. Current	Max Outut Power	Output Voltage	Output Current
40W	120-277Vac	> 0.6	150mA @ 120V	40W	150~200Vdc	200-270mA

PHYSICAL SPECIFICATIONS



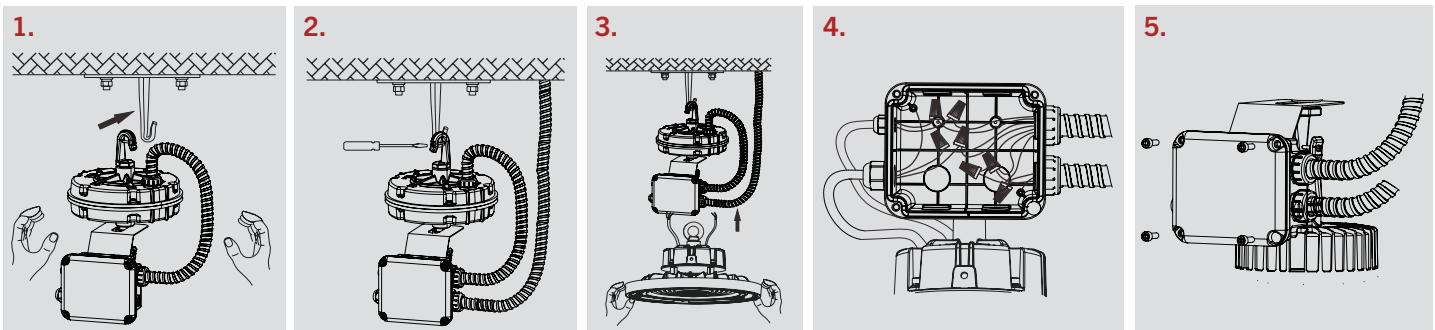


KT-EMRG-LED-40SD-5000-CEN /SF

LED EMERGENCY DRIVER

INSTALLATION INSTRUCTIONS

1. Hang the emergency driver on the mounting hook.
2. Fasten the screw on the top hook of the emergency driver. Ensure all set screws on the installation are tightened.
3. Route AC power from the building into the J-Box
4. Install the luminaire onto the hook of the emergency driver, then lock the safety screw. Route the luminaire power and dimming cables through the pre-installed strain reliefs on the J-Box.
5. Open the front cover of the J-Box and wire according to the diagram below. Ensure the ground wires are connected to the J-Box ground wire.
6. Fasten all the screws of the front cover for the J-Box, and installation is complete.



SELF-TEST MODE

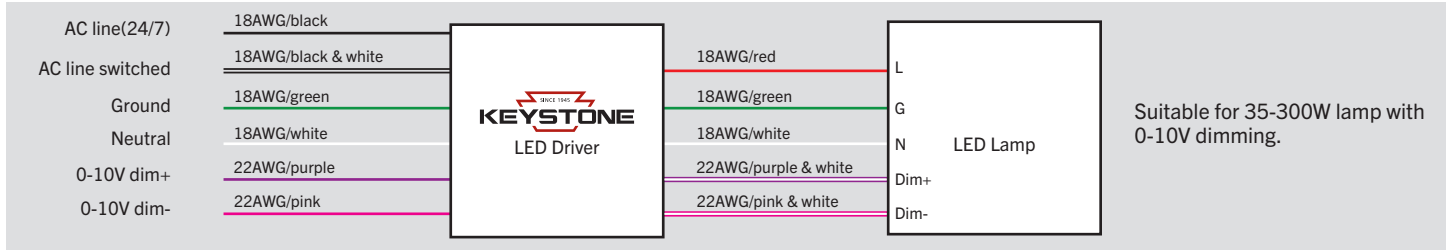
- **After connecting the AC wires and turning on the main power, the emergency driver will go in self-test mode for 3 seconds.**
When in self-test mode:
 - 1) The indicator light will flash red every 2 seconds;
 - 2) If main power is off during self-test mode, emergency driver will go into discharging mode immediately and stop self-testing.
- **If the self-test fails, it goes into failure mode.**
When in failure mode, the indicator will flash red every half second. Reasons for failure may include:
 - 1) The battery pack is not connected or it is broken.
 - 2) The load is not connected.
 - 3) A short circuit may be present.
 - 4) The dimming wires are not connected properly.
- **If the emergency driver passes the self test, it will go into charging mode:**
The indicator will be constant red.
- **Remark:**
If the battery voltage is lower than 30% rated voltage, the indicator will flash every 2 seconds.
The emergency driver will only conduct self-test mode when the battery voltage is above 30% capacity.



KT-EMRG-LED-40SD-5000-CEN /SF

LED EMERGENCY DRIVER

GENERAL WIRING DIAGRAM



Note: *In accordance with NEC-20 410.69 2022, all 0-10V negative wires have been updated from gray to pink. Please contact Keystone for details

ORDERING INFORMATION

Catalog Number	Easy Code	UPC
KT-EMRG-LED-40SD-5000-CEN /SF	UGW-62	843654144320

CATALOG NUMBER BREAKDOWN

KT-EMRG-LED-40SD-5000-CEN /SF

1
2
3
4
5
6
7
8

- 1** Keystone Technologies
- 2** Emergency
- 3** LED
- 4** Wattage
- 5** Self Diagnostic
- 6** Lumens
- 7** Circular Enclosed Construction
- 8** Slip Fitter