



EXTERNAL DRIVE LED

TYPE C LED TUBES

KT-LED13.5T8-48G-8XX-E /G2

T8 LED LAMP

DESCRIPTION

13.5W T8 LED Tube | Type C | 3500K / 4000K / 5000K
 | > 83 CRI | 0–10V Dimming



| |
|---|
| LAMP TYPE: Linear |
| BULB TYPE: T8 LED |
| BASE TYPE: G13 (Medium Bi-Pin) |
| DIMMING TYPE: 0–10V |
| WATTAGE: 13.5W |
| LAMP INPUT VOLTAGE: 36–45Vdc |
| COLOR TEMPERATURE: 3500K / 4000K / 5000K |
| COLOR RENDERING INDEX (CRI): > 83 |



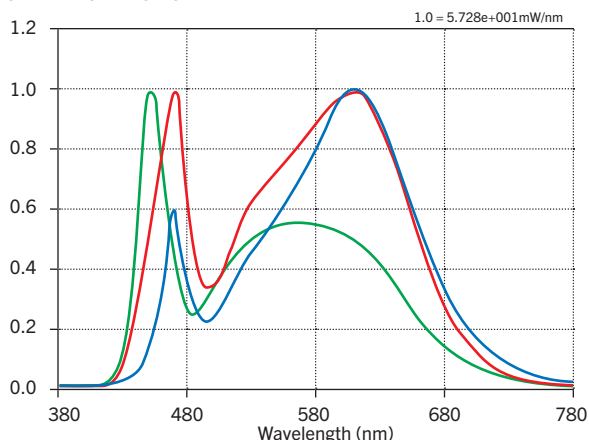
PRODUCT FEATURES

- Compatible with Keystone external drive LED drivers
- Replacement for conventional fluorescent lamps
- 70,000+ hour lifetime
- Type C application for custom installations and maximum efficiency
- Environmentally friendly: No mercury used
- Low Optical Flicker
- Instant startup
- Frosted glass eliminates pixelation
- UL Classified
- Operating temperature: –20°C/–4°F to 45°C/113°F
- 130+ lumens per watt
- DLC Listed

OPERATING SPECIFICATIONS

| Catalog Number | Color Temp. | KTLD-2LT8-UV-13.5C-VDIM /G2 | | | | | | KTLD-4LT8-UV-13.5C-VDIM /G2 | | | | | | Power Factor |
|----------------------------|-------------|-----------------------------|----------------|------------------|---------------------|----------------|------------------|-----------------------------|----------------|------------------|---------------------|----------------|------------------|--------------|
| | | 1 Lamp | | | 2 Lamps | | | 3 Lamps | | | 4 Lamps | | | |
| | | Nominal Input Power | Nominal Lumens | Nominal Efficacy | Nominal Input Power | Nominal Lumens | Nominal Efficacy | Nominal Input Power | Nominal Lumens | Nominal Efficacy | Nominal Input Power | Nominal Lumens | Nominal Efficacy | |
| KT-LED13.5T8-48G-835-E /G2 | 3500K | 15W | 2,100 | 140 lm/W | 30W | 4,200 | 140 lm/W | 45W | 6,300 | 140 lm/W | 60W | 8,400 | 140 lm/W | >0.9 |
| KT-LED13.5T8-48G-840-E /G2 | 4000K | 15W | 2,200 | 147 lm/W | 30W | 4,400 | 147 lm/W | 45W | 6,600 | 147 lm/W | 60W | 8,800 | 147 lm/W | >0.9 |
| KT-LED13.5T8-48G-850-E /G2 | 5000K | 15W | 2,200 | 147 lm/W | 30W | 4,400 | 147 lm/W | 45W | 6,600 | 147 lm/W | 60W | 8,800 | 147 lm/W | >0.9 |

SPECTRAL DISTRIBUTION

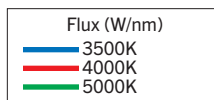


RATED LIFE

L70 (Hours) 70,000

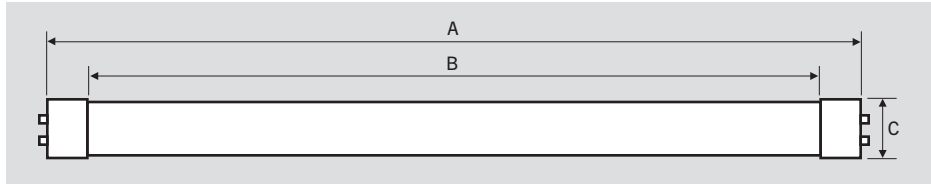
BEAM ANGLE: 240°

VISIBLE LIGHT AREA: 325°



KT-LED13.5T8-48G-8XX-E /G2
T8 LED LAMP

PHYSICAL CHARACTERISTICS

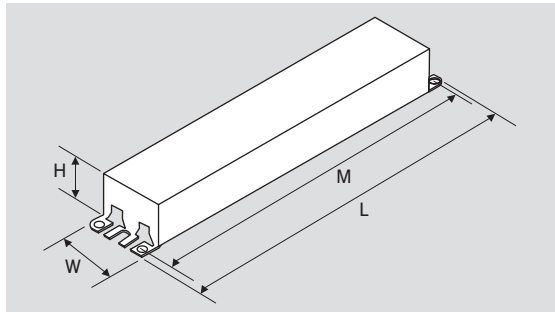


LAMP DIMENSIONS

| | |
|------------------------|--------|
| A (Body Length) | 47.19" |
| B (Illuminated Length) | 46.19" |
| C (Diameter) | 1.00" |

NOMINAL LENGTH: 48"

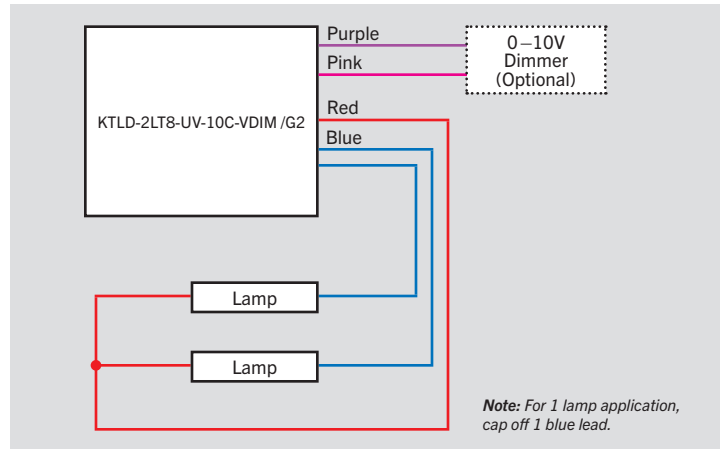
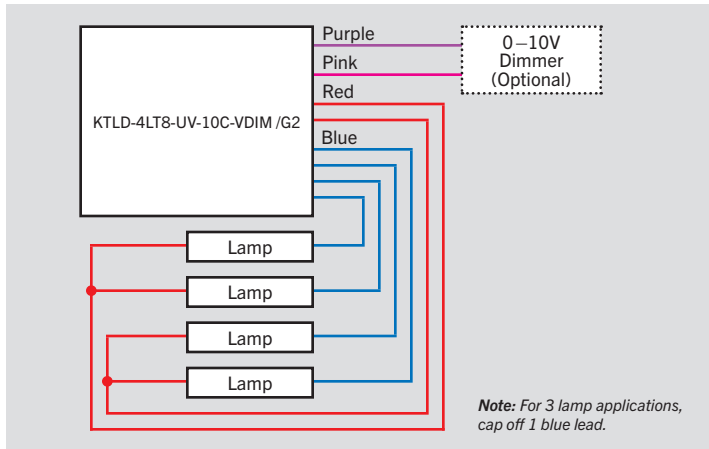
BASE TYPE: G13 (Medium Bi-Pin)



DRIVER DIMENSIONS

| KTLD-2LT8-UV-13.5C-VDIM /G2 | | KTLD-4LT8-UV-13.5C-VDIM /G2 | |
|-----------------------------|-------|-----------------------------|-------|
| Length (L) | 9.50" | Length (L) | 9.60" |
| Width (W) | 1.30" | Width (W) | 1.80" |
| Height (H) | 1.10" | Height (H) | 1.30" |
| Mounting (M) | 8.90" | Mounting (M) | 8.90" |

WIRING DIAGRAMS





KT-LED13.5T8-48G-8XX-E /G2

T8 LED LAMP

ORDERING INFORMATION

| Order Code | Pack Qty. | UPC | Easy Code |
|----------------------------|-----------|--------------|-----------|
| KT-LED13.5T8-48G-835-E /G2 | 25 | 843654140988 | AMK-44 |
| KT-LED13.5T8-48G-840-E /G2 | 25 | 843654140995 | LSL-01 |
| KT-LED13.5T8-48G-850-E /G2 | 25 | 843654141008 | RYE-65 |

CATALOG NUMBER BREAKDOWN

KT-LED13.5T8-48G-8XX-E /G2

1 2 3 4 5 6 7 8 9 10

- 1 Keystone Technologies
- 2 LED Lamp
- 3 Wattage
- 4 Lamp Type
- 5 Normal Length (Inches)
- 6 Material
- 7 80 CRI
- 8 Color Temp
- 9 External Drive Series
- 10 Generation 2