

## KTAG-11L-350-28-8XX-RJ /G2

### HIGH EFFICACY LINEAR LED MODULE

#### DESCRIPTION

High efficacy linear LED modules pre-mounted into aluminum extrusion via a patented manufacturing method, 11" Long.



RoHS  
Compliant

5 YEAR  
WARRANTY



**MODULE TYPE:** Linear

**MAX MODULE POWER:** 9.8W

**MAX DRIVE CURRENT:** 350mA

**COLOR RENDERING INDEX (CRI):** >80

**RECOMMENDED WIRING:** Parallel Connection

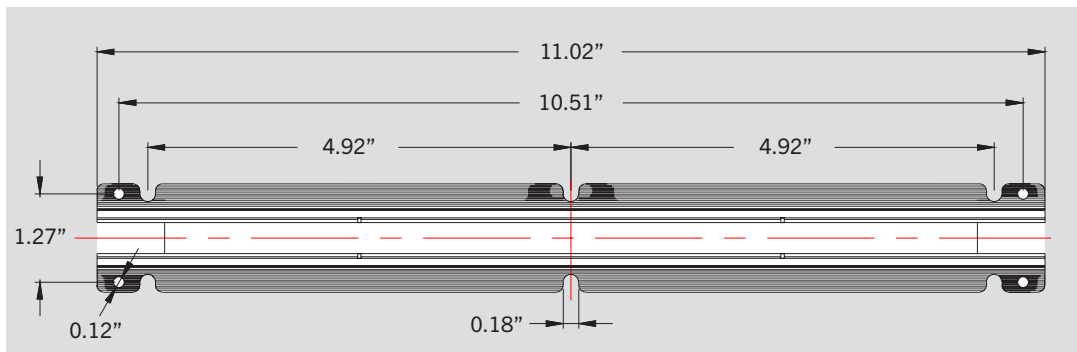
**WARRANTY:** 5 Years

#### PRODUCT FEATURES

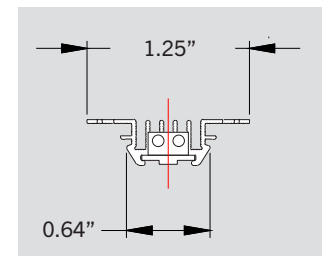
- For use in class 2 lighting systems only
- High lumen density design, approx 1650 lm/ft
- Optional lens accessory
- Completely heat sunked, no additional heat sinking needed to maintain LED lifetime
- Low profile, push-in connectors
- Made with UL recognized components
- 3-Step color binning
- 2835 LED chip package
- Reported life expectancy: L70 >54,000 hours at 85C° | L90 48,000 hours at 85C°
- Calculated life expectancy: L70 >160,000 hours at 85C° | L90 48,000 hours at 85C°
- Linkable in parallel with different length AlumaGroove modules

#### PHYSICAL SPECIFICATIONS

##### Top View



##### Side View



# KTAG-11L-350-28-8XX-RJ /G2

## HIGH EFFICACY LINEAR LED MODULE

### PERFORMANCE SPECIFICATIONS

Drive Current mA	Volts	Watts	3000K				3500K				4000K				5000K			
			WITHOUT LENS		WITH LENS		WITHOUT LENS		WITH LENS		WITHOUT LENS		WITH LENS		WITHOUT LENS		WITH LENS	
			Flux	Efficacy lm/W	Flux	Efficacy lm/W	Flux	Efficacy lm/W	Flux	Efficacy lm/W	Flux	Efficacy	Flux	Efficacy lm/W	Flux	Efficacy	Flux	Efficacy lm/W
350	28	9.80	1595	159	1385	134	1667	166	1437	140	1696	171	1455	143	1697	169	1465	143
330	28	9.24	1516	161	1304	135	1573	168	1352	141	1602	173	1376	145	1610	171	1384	144
310	28	8.68	1425	162	1230	137	1483	170	1276	142	1511	174	1299	146	1512	172	1306	145
290	28	8.12	1339	164	1155	138	1392	171	1199	144	1420	176	1222	148	1418	174	1227	147
270	28	7.56	1251	166	1082	140	1304	173	1123	146	1329	178	1144	150	1326	176	1148	149
250	28	7.00	1163	168	1007	142	1214	175	1045	147	1237	180	1066	151	1233	178	1068	150
230	28	6.44	1076	170	932	143	1123	177	967	149	1144	182	984	153	1141	179	988	152
210	28	5.88	988	172	856	145	1031	179	889	151	1051	184	906	155	1047	182	907	154
190	28	5.32	899	174	777	147	939	181	807	152	957	186	823	157	953	184	824	155
170	28	4.76	808	176	700	149	845	184	726	154	862	189	741	159	856	186	741	157
150	28	4.20	718	178	621	151	750	186	645	156	765	191	658	161	761	188	657	159
130	28	3.64	626	181	541	153	653	188	562	158	667	194	574	163	662	191	573	161
110	28	3.08	532	183	461	155	556	191	479	161	568	196	489	166	563	193	487	164
90	28	2.52	438	186	379	157	457	193	394	163	468	199	403	168	463	195	401	166
70	28	1.96	342	188	297	160	358	196	308	165	366	202	316	171	362	198	314	168
50	28	1.40	246	191	212	162	257	199	221	168	263	205	227	173	260	199	225	171

\* Nominal Values Shown. Actual Values May Vary Based on Tolerances and Ambient Temperature.

Circuit Layout	
No. of LED's in Series	No. of LED's in Parallel
10	4

### ACCESSORIES

Lens	KTAG-11L-LENS*

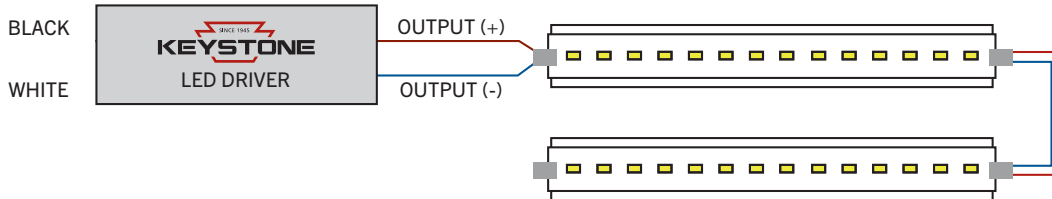
\*Polycarbonate, Flammability Rating V-2



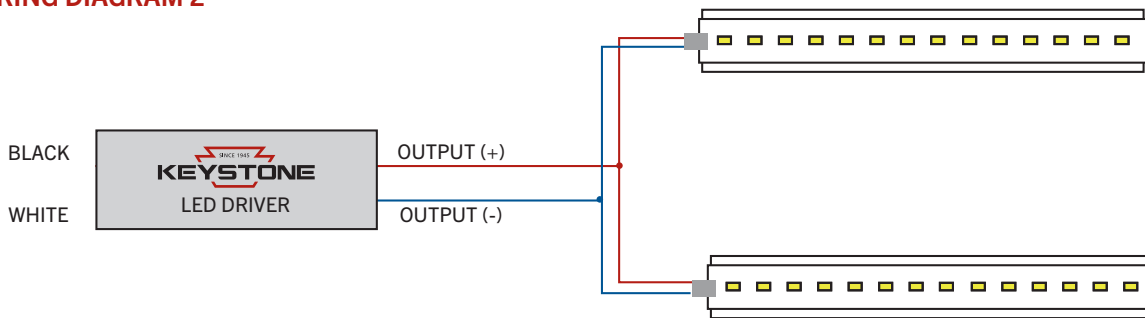
# KTAG-11L-350-28-8XX-RJ /G2

## HIGH EFFICACY LINEAR LED MODULE

### WIRING DIAGRAM 1\*



### WIRING DIAGRAM 2\*



\* Not to exceed a total of 8' total length for end-to-end parallel connections and not to exceed 2A input into any one connector.

### ORDERING INFORMATION

Catalog Number	UPC	Easy Code
KTAG-11L-350-28-830-RJ /G2	843654140223	AQT-64
KTAG-11L-350-28-835-RJ /G2	843654140230	WHN-84
KTAG-11L-350-28-840-RJ /G2	843654140247	VRT-33
KTAG-11L-350-28-850-RJ /G2	843654140254	NFA-05

### CATALOG NUMBER BREAKDOWN

# KTAG-11L-350-28-8XX-RJ /G2

1
2
3
4
5
6
7
8

- |   |   |
|---|---|
| <p><b>1</b> Keystone Technologies AlumaGroove</p> <p><b>2</b> Nominal Length</p> <p><b>3</b> Max. Drive Current</p> <p><b>4</b> Nominal Forward Voltage</p> | <p><b>5</b> 80 CRI</p> <p><b>6</b> Color Temperature</p> <p><b>7</b> Rear-Junction Connection</p> <p><b>8</b> Second Generation</p> |
|---|---|