



# KT-LED100HID-EX39-8XX-D /G2

## HID REPLACEMENT LED LAMP

### DESCRIPTION

100W HID Replacement LED Lamp | 3000–5000K | > 80 CRI | IP64 Rated



<b>LAMP TYPE:</b> HID Replacement LED
<b>BASE TYPE:</b> EX39 (Mogul)
<b>WATTAGE:</b> 100W
<b>COLOR TEMPERATURE:</b> 3000–5000K
<b>METAL HALIDE EQUIVALENT:</b> 400W
<b>COLOR RENDERING INDEX (CRI):</b> > 80
<b>WARRANTY:</b> 5 Years



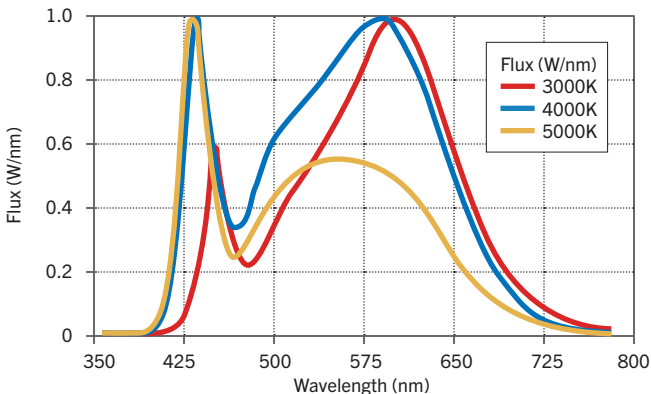
### PRODUCT FEATURES

- Replacement for conventional metal halide lamp
- 50,000+ hour lifetime
- Environmentally friendly: no mercury used
- Instant startup
- UL Listed, DLC Listed
- Operating temperature range: –30°C to 60°C / –22°F to 140°F.
- Exceeding 30°C / 86°F in fully enclosed fixtures will engage active cooling and power de-rating to ensure full product lifetime
- Integral driver, eliminates the need for external driver or ballast; includes 6kV surge protection
- IP64 Rated; integrated heat sink quickly dissipates heat and guides water intrusion out of the lamp
- Active cooling technology: When internal thermal sensor is engaged, lamp power reduces to 80% of max; when sensor cools, lamp powers back up to 100% rated power
- Lamp includes safety tether for additional security when installing lamp in luminaire
- Suitable for use in fully enclosed fixture
- Do not use with standard dimmers. Not compatible with phase dimmers. Dimming functions with sensors only

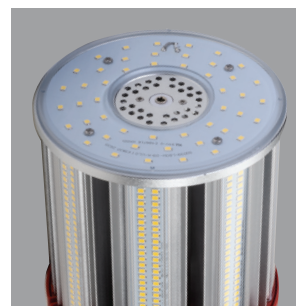
### ELECTRICAL AND PERFORMANCE SPECIFICATIONS

Catalog Number	Input Voltage	Power Consumption	Color Temperature (CCT)	Luminous Flux	Efficacy	Visible Light Area	Power Factor	Input Current	Rated Life
KT-LED100HID-EX39-830-D /G2	120–277 Vac	100W	3000K	10,700 lm	107 lm/W	360°	>0.9	0.93A @ 120V 0.40A @ 277V	L70 (Hours) 50,000
KT-LED100HID-EX39-840-D /G2			4000K	11,200 lm	112 lm/W				
KT-LED100HID-EX39-850-D /G2			5000K	11,900 lm	119 lm/W				

### SPECTRAL DISTRIBUTION



### SMART PORT



On the top of the lamp is a low-voltage AUX port for lamp level sensor controls which are coming soon, Q2+ 2019.



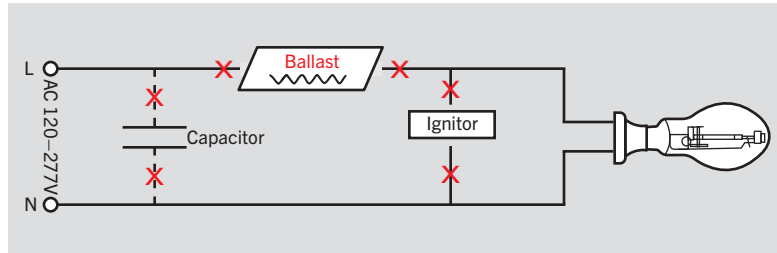
# KT-LED100HID-EX39-8XX-D /G2

## HID REPLACEMENT LED LAMP

### WIRING INSTRUCTIONS

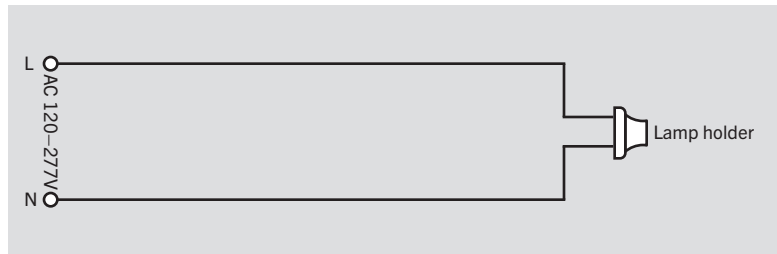
#### STEP 1

**Disconnect power.** Disconnect and remove existing ballast, capacitor, and/or ignitor (where applicable) from fixture.



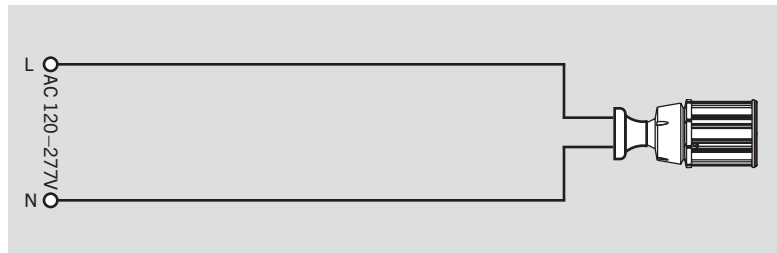
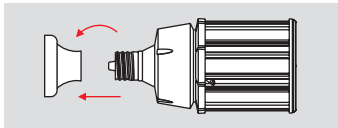
#### STEP 2

Rewire for line voltage to the lamp socket.

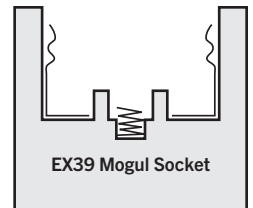
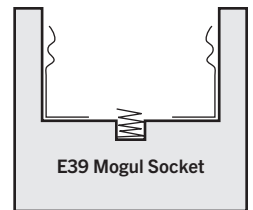


#### STEP 3

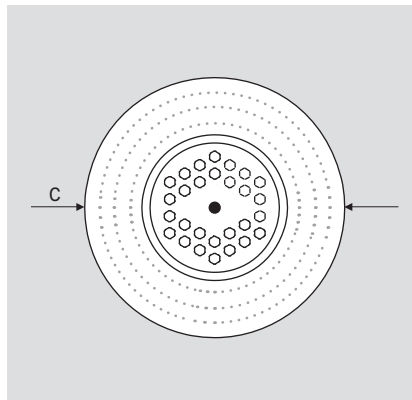
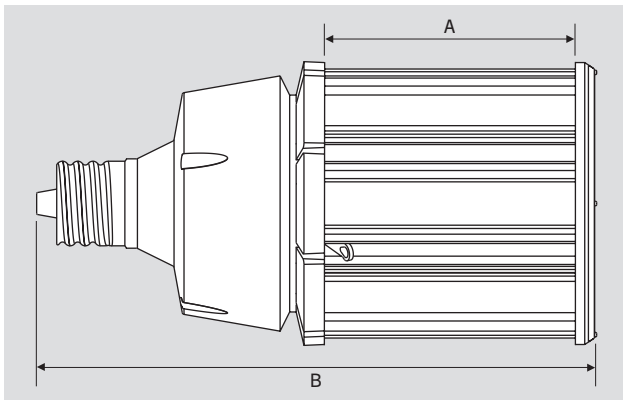
Install new LED replacement lamp. Ensure lamp is operating properly when power is turned on.



**EX39-based lamps** will work in *both* **E39** and **EX39** sockets.



### PHYSICAL CHARACTERISTICS



#### LAMP DIMENSIONS

A (Illuminated Length)	4.50"
B (Body Length)	10.32"
C (Diameter)	5.12"

**BASE TYPE:** EX39 (Mogul)



# KT-LED100HID-EX39-8XX-D /G2

## HID REPLACEMENT LED LAMP

### ORDERING INFORMATION

ORDER CODE	PACK QTY.	EASY CODE	UPC
KT-LED100HID-EX39-830-D /G2-DP	16	IKQ-17	843654121215
KT-LED100HID-EX39-840-D /G2-DP	16	LTN-77	843654121222
KT-LED100HID-EX39-850-D /G2-DP	16	YLH-82	843654121239

### CATALOG NUMBER BREAKDOWN

# KT-LED100HID-EX39-8XX-D /G2-DP

1 2 3 4 5 6 7 8 9 10

- 1 Keystone Technologies
- 2 LED Lamp
- 3 Wattage
- 4 Lamp Type
- 5 Base Type
- 6 80 CRI
- 7 Color Temperature
- 8 Direct-Drive Series
- 9 Second Generation
- 10 Packaging Style