



## KTS-PIR3-12V-PKO /X

### LED PASSIVE INFRARED (PIR) OCCUPANCY/DAYLIGHT SENSOR

#### DESCRIPTION

PIR Occupancy/Daylight Sensor | Pre-wired for Quick Installation | Performance Parameters Set by Remote Control (sold separately)

**INPUT VOLTAGE:** 12Vdc  $\pm$  2Vdc

**OUTPUT VOLTAGE:** 0–10Vdc

**TRANSMIT POWER:** < 0.5mW max.



**5 YEAR**  
WARRANTY



#### PRODUCT FEATURES

- Partial discharge (PD) dual-technology differentiates artificial light brightness from natural light and automatically turns off light when ambient brightness exceeds preset lux level
- PIR sensing technology detects motion in the coverage area and automatically turns off light when motion is no longer detected
- Pre-wired for quick installation
- Powered by Keystone 0–10V dimming LED driver
- Adjustable performance parameters set by Keystone remote control (sold separately)
- Ambient operating temperature:  $-30^{\circ}\text{C}/-22^{\circ}\text{F}$  to  $60^{\circ}\text{C}/140^{\circ}\text{F}$

#### PERFORMANCE SPECIFICATIONS

Input Voltage	Input Current	Output Voltage	Stand-By Power	Max Mounting Height	Detection Angle	Detection Range	Adjustable Settings				
							Brightness	Hold Time	Daylight Threshold	Stand-By Time	Stand-By Dim Level
12Vdc	30mA	0–10V	<0.5W	19.69 ft (ceiling mount)	$30^{\circ}$ – $120^{\circ}$	Ceiling mount: $\varnothing$ 26.25 ft max Wall mount: 19.69 ft max	70% 80% 90% 100%	10 sec 1 min 10 min 30 min	10 Lux 30 Lux 50 Lux 100 Lux Disable	1 min 30 min 60 min $\infty$	10% 20% 30% 50%

#### FACTORY PRESETS

Catalog Number	Brightness	Hold Time	Daylight Threshold	Stand-By Time	Stand-By Dim Level
KTS-PIR3-12V-PKO /A	100%	1 min	Disable	3 min	30%
KTS-PIR3-12V-PKO /B	100%	5 min	Disable	10 min	10%

#### STARTUP BEHAVIOR

When fixture power is applied, the below startup sequence occurs

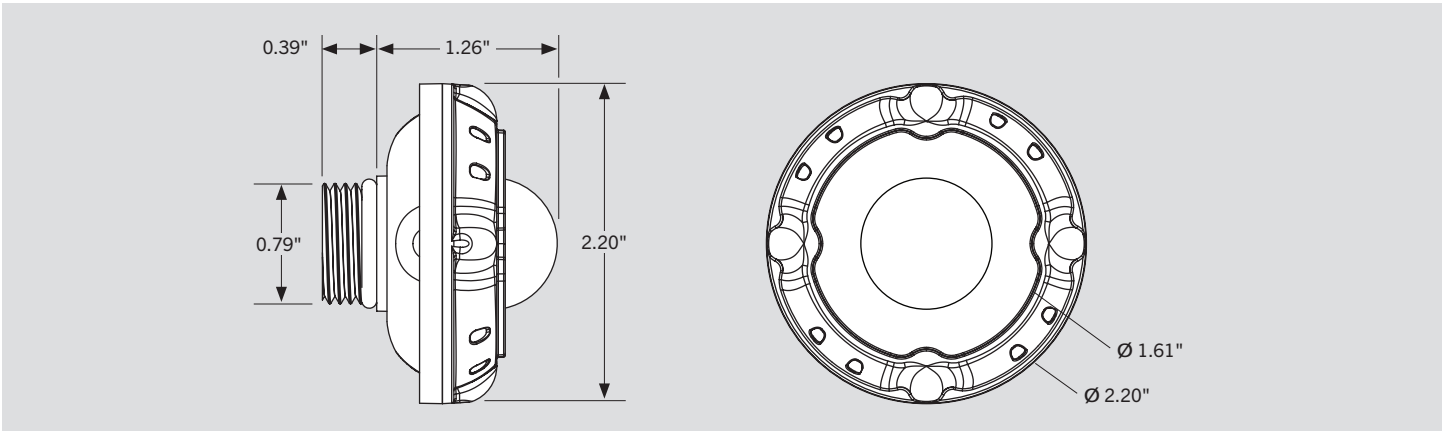
1. Light output 100%, red indicator on
2. After 10s, red indicator off
3. After 40s more, light output 0%
4. Sensor is now ready for normal operation



# KTS-PIR3-12V-PKO /X

## LED PASSIVE INFRARED (PIR) OCCUPANCY/DAYLIGHT SENSOR

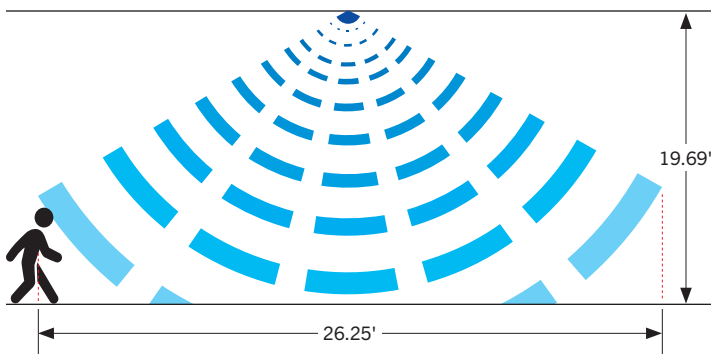
### PHYSICAL SPECIFICATIONS



### DETECTION COVERAGE

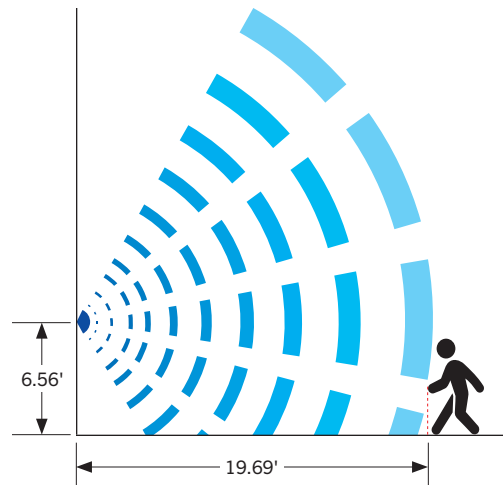
#### CEILING MOUNT (Side View)

Detection angle: 30°–120°  
 Detection range: Ø 26.25' max.  
 Mounting height: 19.69' max.



#### WALL MOUNT (Side View)

Detection angle: 30°–120°  
 Detection range: 19.69' max.



**KTS-PIR3-12V-PKO /X**  
LED PASSIVE INFRARED (PIR) OCCUPANCY/DAYLIGHT SENSOR

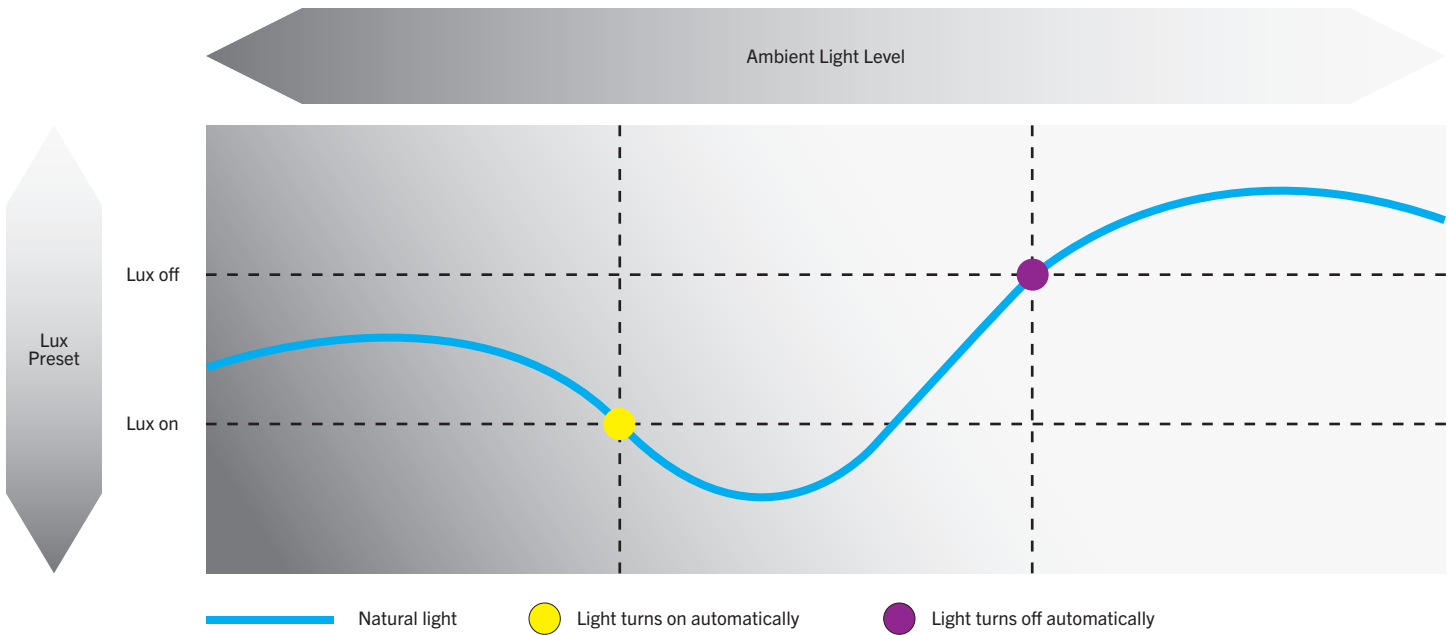
**LUX ON/OFF SETTING**

**FUNCTION**

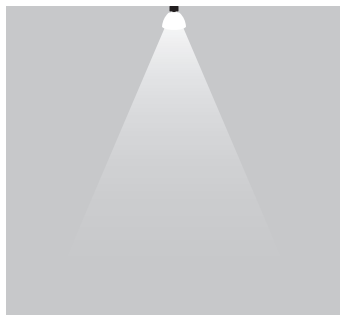
Partial discharge (PD) dual-technology differentiates artificial light brightness from natural light and automatically turns off light when ambient brightness exceeds preset lux level.

Lux-Off function preconditions:

- Stand-by period setting: ∞
- Stand-by dimming level setting: 10%, 20%, 30%, or 50%
- Daylight threshold setting: 10 Lux, 30 Lux, 50 Lux, or 100 Lux



**APPLICATION**



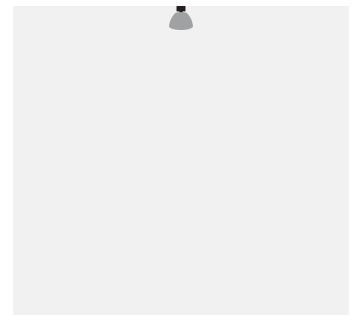
When ambient light is lower than preset lux level, lighting will turn on and remain at preset stand-by dimming level.



With insufficient ambient light, when motion is detected, lighting will turn on and remain at preset brightness level until motion is no longer detected for duration of preset hold time.



If no further motion is detected after duration of hold time, lighting will dim and remain at preset brightness level for duration of standby time or until ambient light level exceeds preset lux level.

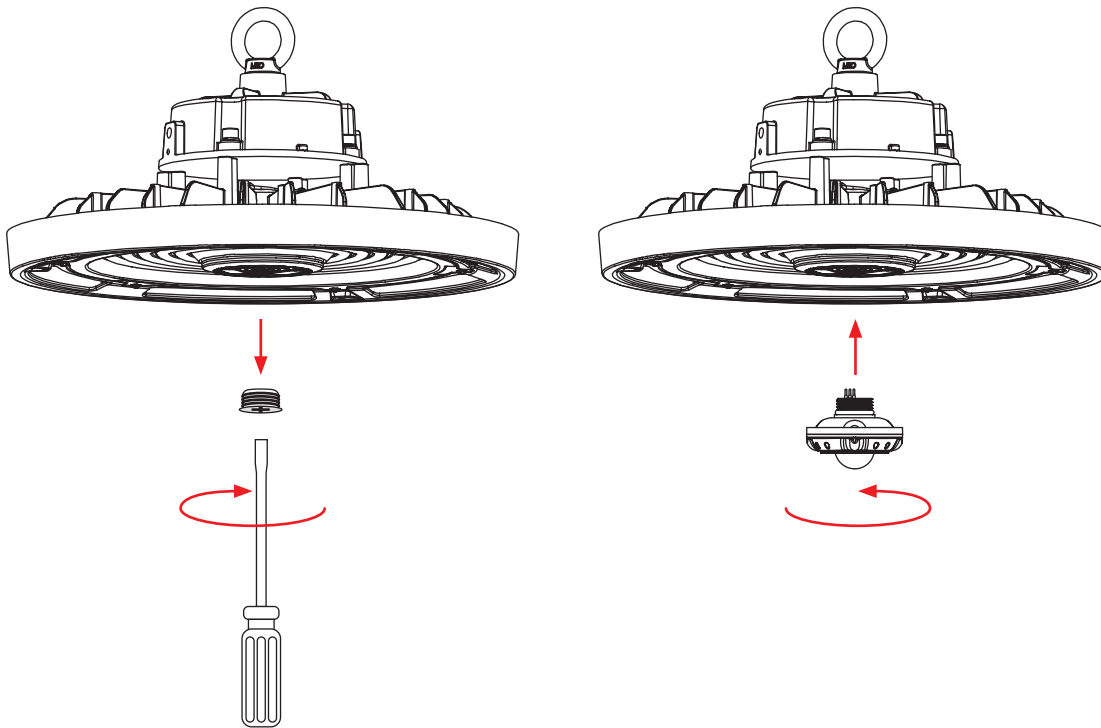


When ambient light reaches preset lux level, lighting will turn off and remain off until ambient light level falls below preset lux level.

**KTS-PIR3-12V-PKO /X**  
LED PASSIVE INFRARED (PIR) OCCUPANCY/DAYLIGHT SENSOR

**INSTALLATION**

1. Ensure power is off to the fixture.
2. Remove 1/2" knock-out (KO) plug.
3. Screw in sensor head.  
(see illustrations below)



4. Re-connect power when ready.
5. Program desired settings as needed with Keystone Remote Control.

**ACCESSORY (SOLD SEPARATELY)**

**REMOTE CONTROL**

Catalog Number	Description	UPC	Easy Code
KTS-MW3-REMOTECONTROL	Remote Control for KTS-PIR3-12V-PKO /X Sensors, Sets/adjusts all sensor performance parameters	843654132020	XSR-61





# KTS-PIR3-12V-PKO /X

## LED PASSIVE INFRARED (PIR) OCCUPANCY/DAYLIGHT SENSOR

### ORDERING INFORMATION

ORDER CODE	PACK QTY.	UPC	Easy Code
KTS-PIR3-12V-PKO /A	1	843654133638	RXQ-30
KTS-PIR3-12V-PKO /B	1	843654133645	LEF-34

### CATALOG NUMBER BREAKDOWN

# KTS-PIR3-12V-PKO /X

1

2

3

4

5

6

- 1 Keystone Technologies Sensor
- 2 Passive Infrared Sensor Form Factor
- 3 Input Voltage—12V
- 4 Pin Connection
- 5 Knock Out
- 6 Preset Configuration Style

#### 6 Preset Configuration Style

/A	Factory Preset A
/B	Factory Preset B