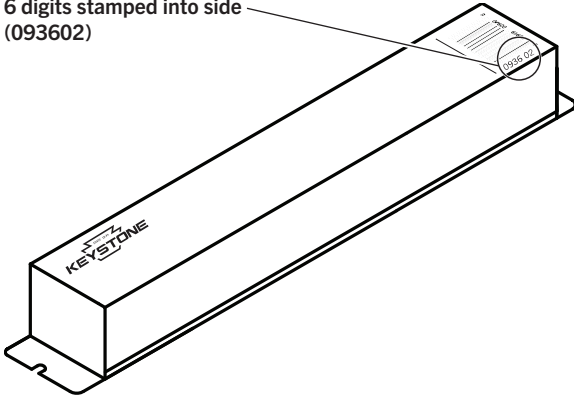


# UNDERSTANDING THE DATE STAMP

## ELECTRONIC BALLAST

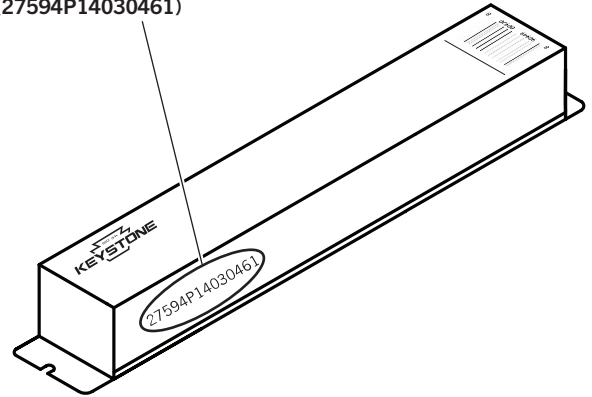
### No Version

6 Digits beneath bar code or  
 6 digits stamped into side  
 (093602)



### Version A

14 Digits stamped on side  
 (27594P14030461)



### Six Digit Date Code

Example: 093602

- The first 2 digits (09) refer to the year of manufacture, 2009
- The second 2 digits (36) refer to the week of manufacture

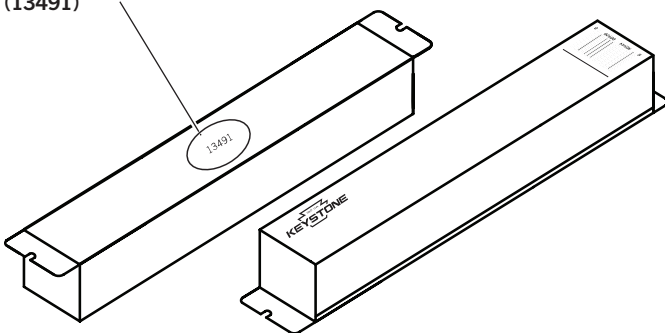
### Six Digit Date Code

Example: 093602

- The first 2 digits (09) refer to the year of manufacture, 2009
- The second 2 digits (36) refer to the week of manufacture

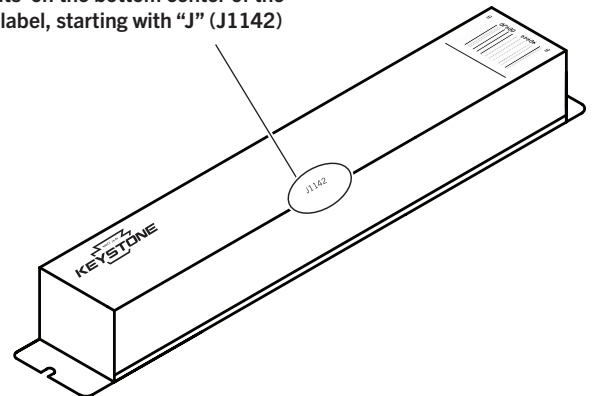
### Version D

5 Digits stamped on back  
 (13491)



### Version D

5 Digits on the bottom center of the  
 front label, starting with "J" (J1142)



### Six Digit Date Code

Example: 093602

- The first 2 digits (09) refer to the year of manufacture, 2009
- The second 2 digits (36) refer to the week of manufacture

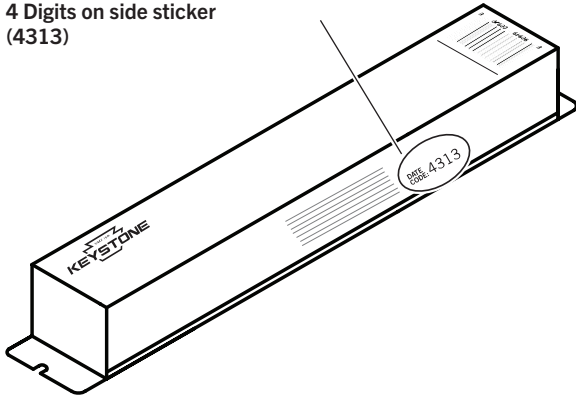
### Six Digit Date Code

Example: 093602

- The first 2 digits (09) refer to the year of manufacture, 2009
- The second 2 digits (36) refer to the week of manufacture

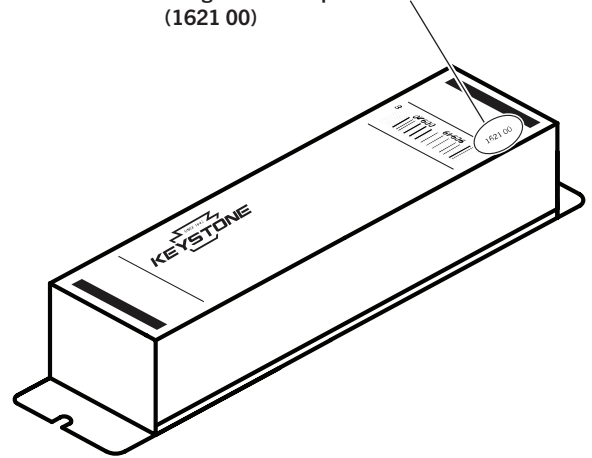
### Fluorescent Emergency Ballast

4 Digits on side sticker  
(4313)



### LED Emergency Driver

6 Digits next to upc code  
(1621 00)



### Four Digit Date Code

Example: 4313

- The first 2 digits (43) refer to the week of manufacture
- The second 2 digits (36) refer to the week of manufacture

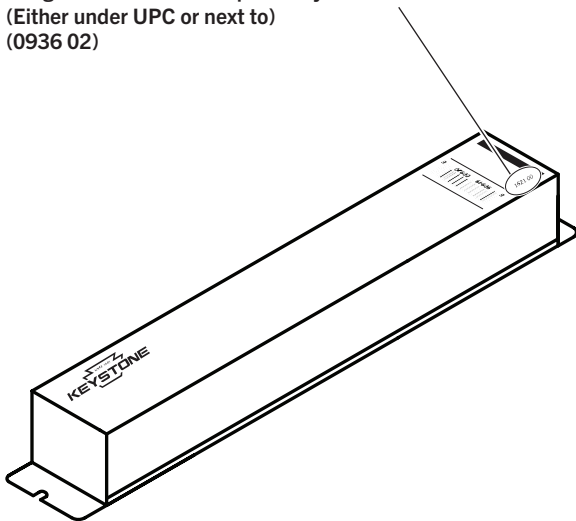
### Six Digit Date Code

Example: 162100

- The first 2 digits (16) refer to the year of manufacture, 2016
- The second 2 digits (21) refer to the week of manufacture

### LED Drivers

6 Digits Located in close proximity to UPC code  
(Either under UPC or next to)  
(0936 02)



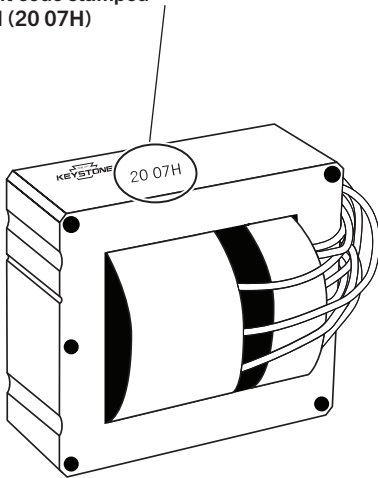
### Six Digit Date Code

Example: 093602

- The first 2 digits (09) refer to the year of manufacture, 2009
- The following 2 digits (36) refer to the week of manufacture

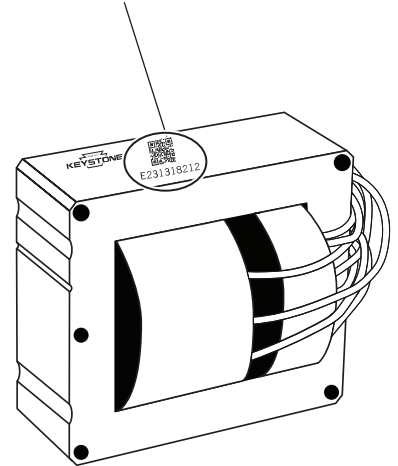
### No Version

5 Digit code stamped  
Label (20 07H)



### Version B

10 Digits on label under QR  
Code (E231318212)



### Six Digit Date Code

Example: 093602

- The first 2 digits (09) refer to the year of manufacture, 2009
- The second 2 digits (36) refer to the week of manufacture

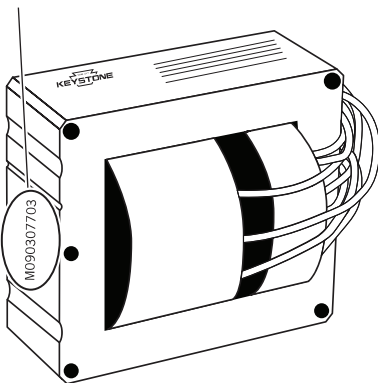
### Six Digit Date Code

Example: 093602

- The first 2 digits (09) refer to the year of manufacture, 2009
- The second 2 digits (36) refer to the week of manufacture

### Version P

10 Digits stamped on side  
(M090307703)



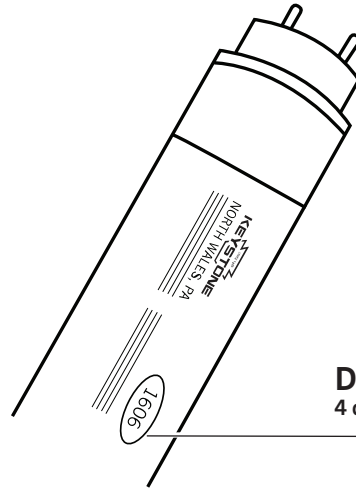
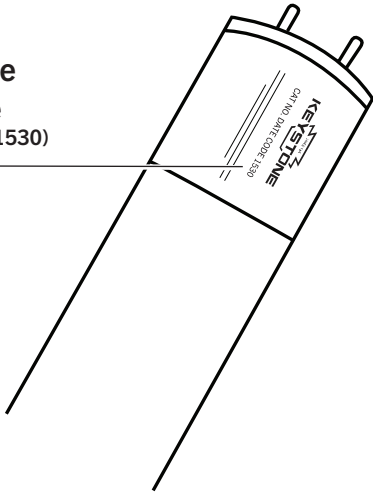
### Ten Digit Date Code

(Ballast with "VersionP\_" indicated on the unit label)

Example: M090307703

- The first 2 digits (09) refer to the year of manufacture, 2009
- The second 2 digits (36) refer to the week of manufacture

**ComboDrive  
SmartDrive**  
4 digit top side (1530)



**DirectDrive LED**  
4 digit on side (1606)

**Six Digit Date Code**

Example: 093602

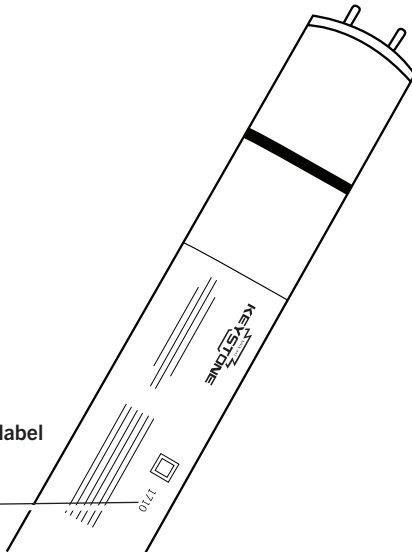
- The first 2 digits (09) refer to the year of manufacture, 2009
- The second 2 digits (36) refer to the week of manufacture

**Four Digit Date Code**

Example: 1606

- The first 2 digits (16) refer to the year of manufacture, 2016
- The second 2 digits (06) refer to the week of manufacture

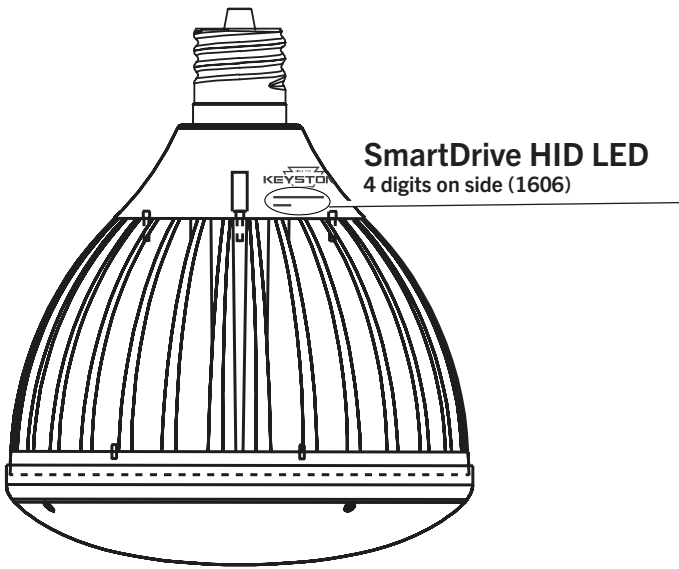
**T5/T5HO/THE**  
4 digit top right side of label  
(1710)



**Four Digit Date Code**

Example: 1710

- The first 2 digits (17) refer to the year of manufacture, 2017
- The second 2 digits (10) refer to the month of manufacture



**SmartDrive HID LED**  
4 digits on side (1606)

**Four Digit Date Code**

Example: 3516

- The first 2 digits (35) refer to the week of manufacture
- The second 2 digits (16) refer to the year of manufacture, 2016

**HID LED 15W-54W**  
4 digits on side (4313)

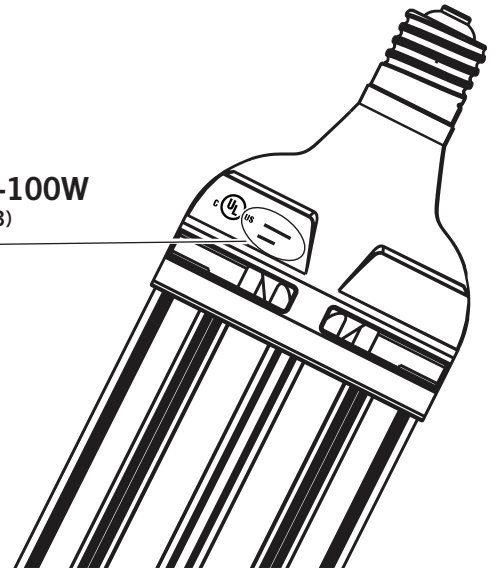


**Four Digit Date Code**

Example: 1612

- The first 2 digits (16) refer to the year of manufacture, 2016
- The second 2 digits (12) refer to the week of manufacture

**HID LED 80W-100W**  
4 digits on side (4313)

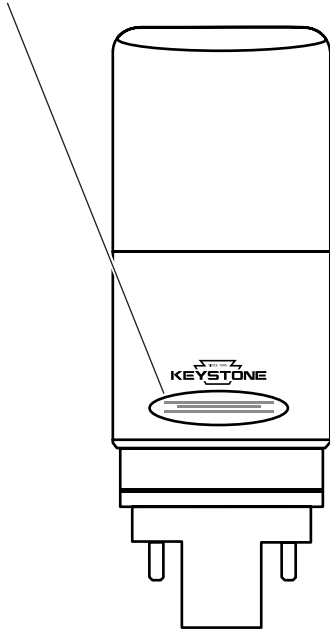


**Four Digit Date Code**

Example: 1612

- The first 2 digits (16) refer to the year of manufacture, 2016
- The second 2 digits (12) refer to the week of manufacture

**8W 2-Pin / 6W 2-Pin**  
4 digits on lamp base (2001)

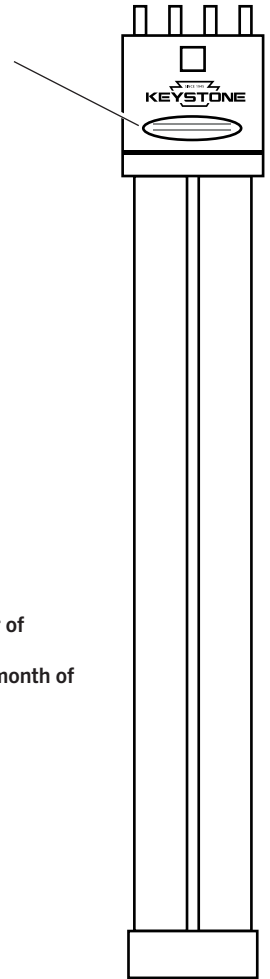


**Four Digit Date Code**

Example: 2001

- The first 2 digits (20) refer to the year of manufacture, 2020
- The second 2 digits (01) refer to the month of manufacture, January

**10W PLL**  
4 digits on side (2009)



**Four Digit Date Code**

Example: 2009

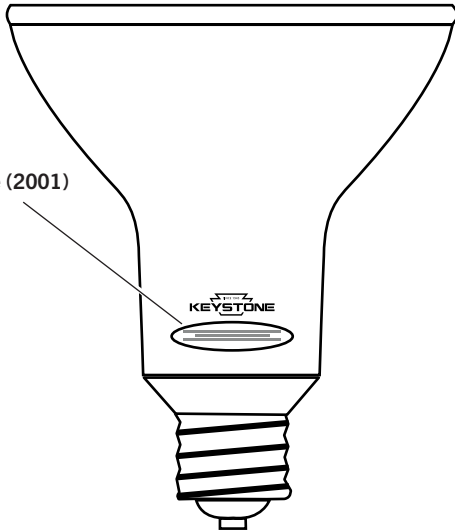
- The first 2 digits (20) refer to the year of manufacture, 2020
- The second 2 digits (09) refer to the month of manufacture, September

## ESSENTIAL SERIES

\*Line art shown below 14-20W Commercial A21 Lamp

### 10W PAR30

4 digits on lamp base (2001)



### Four Digit Date Code

Example: 2001

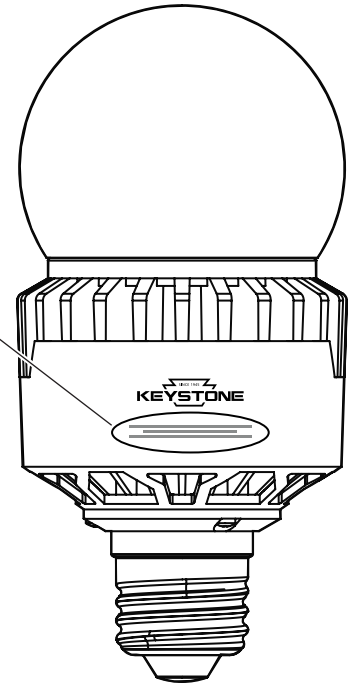
- The first 2 digits (20) refer to the year of manufacture, 2020
- The second 2 digits (01) refer to the month of manufacture, January

## PERFORMANCE SERIES

\*Line art shown below 14-20W Commercial A21 Lamp

### 14-20W A21

4 digits on lamp base (1918)



### Four Digit Date Code

Example: 1918

- The first 2 digits (20) refer to the year of manufacture, 2019
- The second 2 digits (18) refer to the week of manufacture

**1'x4' LED Panel Light**  
4 digits on lamp base (2007)

**KEYSTONE** **XFIT | PANEL LIGHTS**

KT-BPLED40PS-14-8CSA-VDIM  
Backlit LED Panel Light

| Voltage  | Wattage         | CRI  | Frequency | Dimension | CCT                   |
|----------|-----------------|------|-----------|-----------|-----------------------|
| 120-277V | 20W/<br>30W/40W | > 80 | 50/60Hz   | 1x4       | 3500K/<br>4000K/5000K |

CLASS 1 WIRING  
CÂBLAGE DE CLASSE 1

MIN 90°C SUPPLY CONDUCTORS ACCESS ABOVE  
CEILING REQUIRED  
MIN 90°C CONDUCTEURS D'ALIMENTATION  
ACCÈS AU-DESSUS DU PLAFOND REQUIS

TYPE IEC  
TYPE IEC

SUITABLE FOR DAMP LOCATIONS  
ADAPTE AUX ENDROITS DU DAMP

VAPOR BARRIER MUST BE SUITABLE FOR 90°C  
LA BARRIÈRE À LA VAPEUR DOIT ÊTRE  
ADAPTEE À 90°C

THIS PRODUCT MUST BE INSTALLED IN  
ACCORDANCE WITH THE APPLICABLE  
INSTALLATION CODE BY A PERSON FAMILIAR  
WITH THE CONSTRUCTION AND OPERATION OF  
THIS PRODUCT AND THE HAZARDS INVOLVED.  
CE PRODUIT DOIT ÊTRE INSTALLÉ  
CONFORMÉMENT AU CODE D'INSTALLATION  
APPLICABLE PAR UNE PERSONNE CONNASSANT  
LA CONSTRUCTION ET LE FONCTIONNEMENT DU  
PRODUIT ET LES DANGERS IMPLICQUÉS

SUITABLE FOR OPERATION IN AMBIENT  
TEMPERATURES NOT EXCEEDING 45°C  
ADAPTE POUR FONCTIONNEMENT DANS UN  
AMBIANT NON SUPÉRIEUR À 45°C

8 436541 2788 4

Keystone Technologies • Philadelphia, PA • Phone (800) 464-2680 • www.keystonetech.com **2007B**

**Round LED High Bay Fixture**  
Date will be checked off on label.

CATALOG NO.  
**KT-RHLED150-12C-850-VDIM**  
Round High Bay Fixture

| Voltage  | Wattage | CRI | Lumen Output | Color Temperature |
|----------|---------|-----|--------------|-------------------|
| 120-277V | 150W    | >82 | 19,800       | 5000K             |

JAN FEB MAR APR MAY JUN JUL AUG SEP OCT NOV DEC 2018 2019

• Suitable for damp locations  
Keystone Technologies • 1390 Welsh Road, North Wales, PA • (800) 464-2680 • keystonetech.com MADE IN CHINA

Driver output current is preset to 1.20A  
CAUTION: Do not adjust the potentiometer on the side of the driver

**Example:**

- The first check mark refer's to the month of manufacture, Jan-Dec
- The second check mark refer's to the year of manufacture, 2018-2019

**Four Digit Date Code**

Example: 2007

- The first 2 digits (20) refer to the year of manufacture, 2020
- The second 2 digits (07) refer to the month of manufacture, July

**4' 44W LED Vapor Tight Fixture**  
4 digits on unit label

**KEYSTONE** **XFIT**  
LED FIXTURES

CATALOG NO.  
**KT-VTLED44-4A-840-VDIM-P**  
LED Vapor Tight Fixture

| Voltage  | Wattage | CRI  | Frequency | AMP       | CCT   |
|----------|---------|------|-----------|-----------|-------|
| 120-277V | 44W     | > 80 | 50/60Hz   | 0.37-0.16 | 4000K |

Suitable for damp locations.  
Driver is pre-installed.

CAUTION:  
TO REDUCE THE RISK OF FIRE, USE LED DRIVER  
WITH MAXIMUM 1,000MA OUTPUT CURRENT.

8 43654 12217 5

Keystone Technologies • Philadelphia, PA • Phone (800) 464-2680 • www.keystonetech.com

**E475979**  
DATE:08/2020

**Four Digit Date Code**

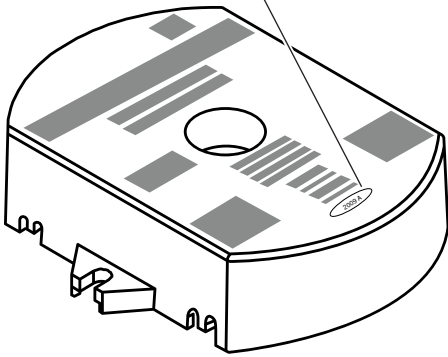
Example: 2008 or 8/2020

- The first 2 digits (08) refer to the month of manufacture, August
- The second 4 digits (2020) refer to the year of manufacture



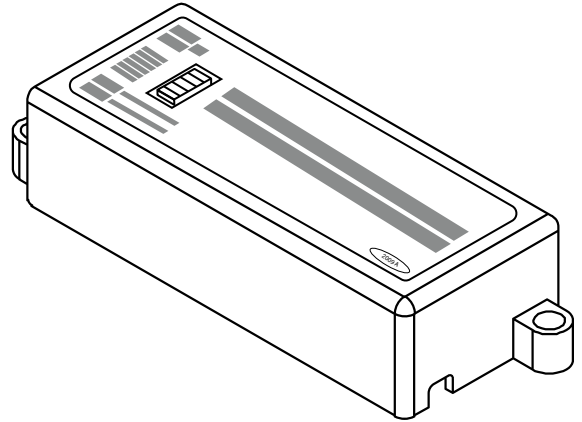
### 8" Circular Power

4 digits on Top (2009)



### 6" Rectangular Power

4 digits on Top (2009)



### Four Digit Date Code

Example: 2009

- The first 2 digits (20) refer to the year of manufacture, 2020
- The second 2 digits (09) refer to the month of manufacture, September

### Four Digit Date Code

Example: 2009

- The first 2 digits (20) refer to the year of manufacture, 2020
- The second 2 digits (09) refer to the month of manufacture, September