



# KT-LED40T8HO-96GC-8XX-D2

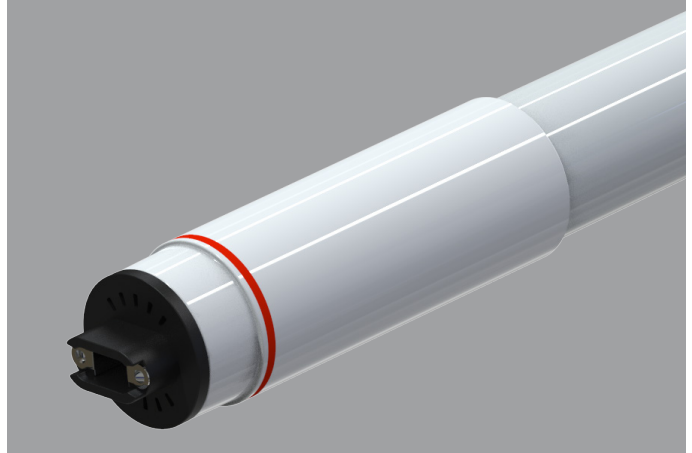
## T8 LED LAMP

### DESCRIPTION

40W T8HO/T12HO LED | 4000K | >80 CRI | High Efficiency | 8 Foot



|  |
|--|
| <b>LAMP TYPE:</b> Linear                         |
| <b>BULB TYPE:</b> T8HO/T12HO LED                 |
| <b>BASE TYPE:</b> R17d (Recessed Double Contact) |
| <b>WATTAGE:</b> 40W                              |
| <b>COLOR TEMPERATURE:</b> 4000K                  |
| <b>COLOR RENDERING INDEX (CRI):</b> >80          |
| <b>WARRANTY:</b> 5 Years                         |



### PRODUCT FEATURES

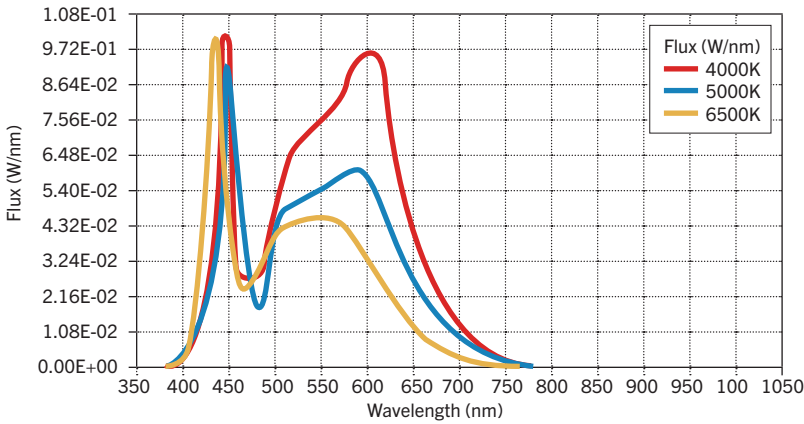
- Replacement for conventional T8/T12 8-foot, single-pin fluorescent lamp
- Double-ended line voltage wiring: Connect power to each end for simplified installation
- 50,000+ hour lifetime
- Approximately 50% more energy efficient than standard F96T12 lamps
- Environmentally friendly: No mercury used
- NSF listed: NSF/ANSI Standard 2: Food equipment, splash zone (component level—not for direct food zone without additional fixture considerations)
- Compatible with KT-EMRG-LED-12-1200-AC and KT-EMRG-LED-12-1200-AC /DF LED emergency back ups
- Improved Lamp Durability with Shatterproof Coated Glass, designed to pass drop tests of 6' on hard surface
- Includes 1 C-clips to be installed with the lamps into the fixture ballast cover to prevent any potential undesired lamp twisting or sagging
- Frosted lens eliminates pixelation
- UL classified
- Operating Temperature: (-20°C/-4°F) (45°C/113°F)
- Working Humidity: 30%-85%
- Integral driver (isolated): Eliminates the need for external driver or ballast
- 130+ lumens per Watt
- Instant startup
- Not rated for use in Vapor Tight style fixtures

### ELECTRICAL AND PERFORMANCE SPECIFICATIONS

| Catalog Number           | Input Voltage | Power Consumption | Color Temperature (CCT) | Luminous Flux | Efficacy | Beam Angle | Power Factor | Input Current              | Rated Life            |
|--------------------------|---------------|-------------------|-------------------------|---------------|----------|------------|--------------|----------------------------|-----------------------|
| KT-LED40T8HO-96GC-840-D2 | 120-277 Vac   | 40W               | 4000K                   | 5500 lm       | 136 lm/W | 325°       | >0.9         | 0.33 @ 120V<br>0.14 @ 277V | L70 (Hours)<br>50,000 |
| KT-LED40T8HO-96GC-850-D2 |               |                   | 5000K                   | 5500 lm       | 136 lm/W |            |              |                            |                       |
| KT-LED40T8HO-96GC-865-D2 |               |                   | 6500K                   | 5500 lm       | 136 lm/W |            |              |                            |                       |

**KT-LED40T8HO-96GC-8XX-D2**  
T8 LED LAMP

**SPECTRAL DISTRIBUTION**



**WIRING DIAGRAMS**

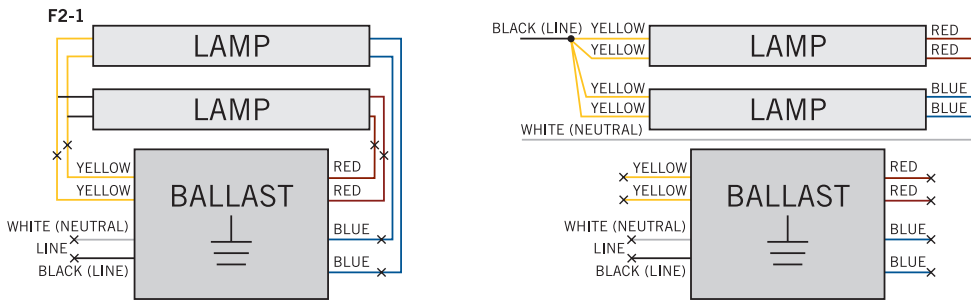
**Double Ended Line Voltage Wiring**



**For Retrofit Applications (see below notes)**

1. Identify ballast configuration as shown below and cut all wires connected to the ballast accordingly.

**Typical Ballast Configurations:**



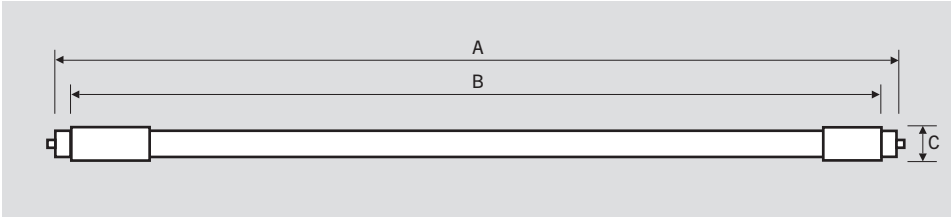
2. Confirm that the lampholders in the fixture are R17d Double Recessed Contact lampholders. These DirectDrive LED tubes require R17d Double Recessed Contact lampholders.
3. Rewire the fixture using existing lampholders as shown above according to the original ballast wiring configuration.



# KT-LED40T8HO-96GC-8XX-D2

## T8 LED LAMP

### PHYSICAL CHARACTERISTICS



#### LAMP DIMENSIONS

|                        |        |
|------------------------|--------|
| A (Body Length)        | 93.31" |
| B (Illuminated Length) | 87.41" |
| C End Cap Diameter     | 1.31"  |
| D Dimension            | 1.08"  |

**NOMINAL LENGTH:** 96"

**BASE TYPE:** R17d (Recessed Double Contract)

### ORDERING INFORMATION

| ORDER CODE               | PACK QTY. | UPC          | EASY CODE |
|--------------------------|-----------|--------------|-----------|
| KT-LED40T8HO-96GC-840-D2 | 10        | 843654140094 | DPI-80    |
| KT-LED40T8HO-96GC-850-D2 | 10        | 843654140100 | KWB-88    |
| KT-LED40T8HO-96GC-865-D2 | 10        | 843654140117 | NQI-80    |

### CATALOG NUMBER BREAKDOWN

# KT-LED40T8HO-96G-8XX-D2

1 2 3 4 5 6 7 8 9 10

- |                         |                           |
|-------------------------|---------------------------|
| 1 Keystone Technologies | 6 Nominal Length (Inches) |
| 2 LED Lamp              | 7 Glass                   |
| 3 Wattage               | 8 80 CRI                  |
| 4 Lamp Type             | 9 Color Temperature       |
| 5 High Output           | 10 Double Drive Series    |