

KT-SMB-HID1-E39

SIGN BASE STATION

DESCRIPTION

Sign Base Station | Mounting Box



APPLICATION

For use with sign cabinet over 30" wide

Designed for use with:

KT-LED80HID-EX39-8XX-D /G2 and KT-LED100HID-EX39-8XX-D /G2



KT-LED80HID-EX39-8XX-D /G2

KT-LED100HID-EX39-8XX-D /G2

* Lamps sold separately



INSTRUCTIONS

Recommended quantity and HID lamp/SMB unit placement.

FOR SIGNS 30–36" DEEP

- Install **KT-LED80HID-EX39-8XX-D /G2** lamps in **KT-SMB-HID1-E39** and place so lamps illuminate at approximately every 2–3' width and height.

Example 1

Rectangular sign 32" deep × 12' wide × 6' high: (8) units recommended;
 (4 columns × 2 rows)

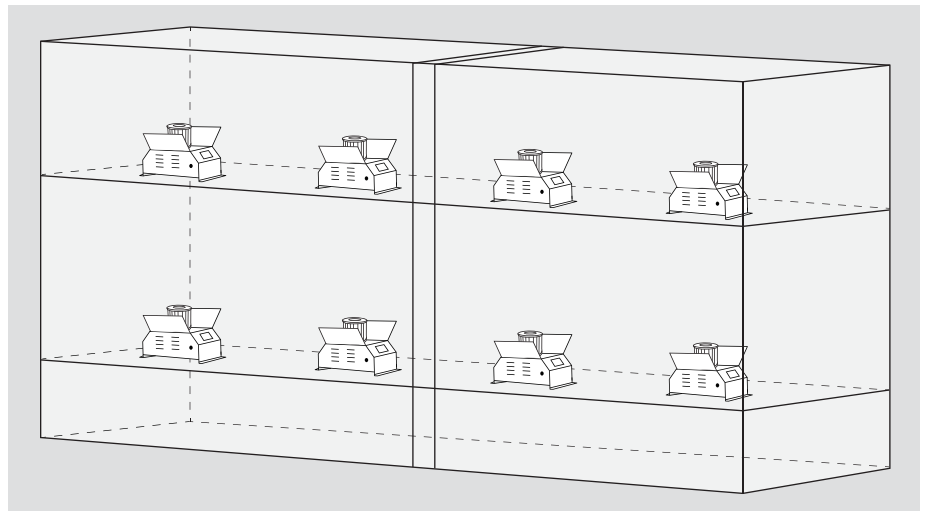
FOR SIGNS 36–48" DEEP

- Install **KT-LED100HID-EX39-8XX-D /G2** lamps in **KT-SMB-HID1-E39** and place so lamps illuminate at approximately every 2–3' width and 3–4' height.

Example 2

Rectangular sign 42" deep × 20' wide × 10' high: (12) units recommended;
 (6 columns × 2 rows)

SIGN MOUNT SPACING

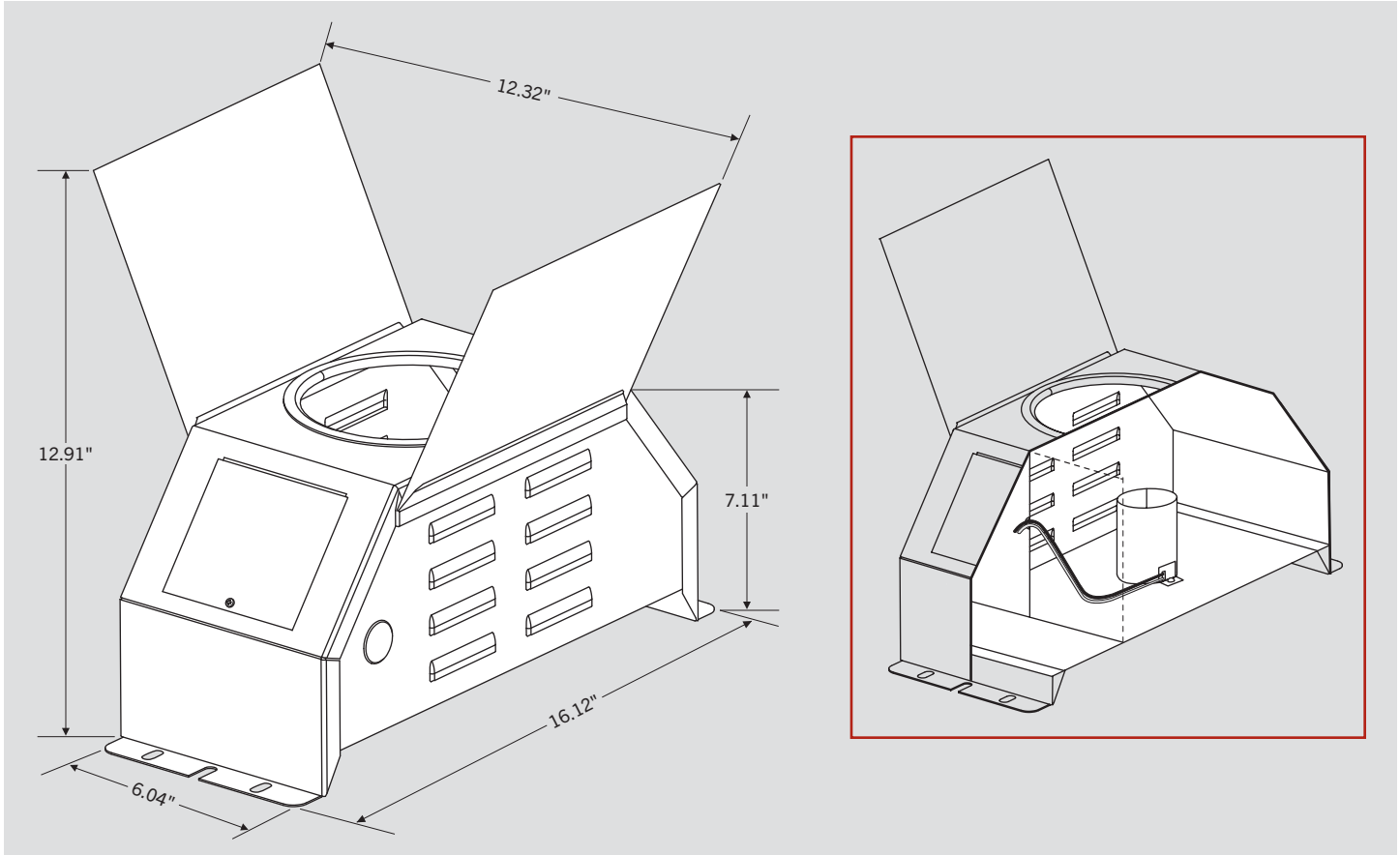


ADDITIONAL CONSIDERATIONS

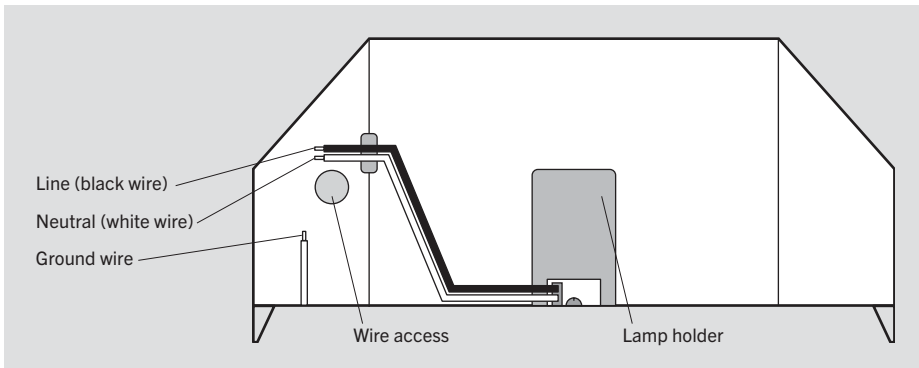
- Center the Sign Mount Box units halfway between sign face and back of sign (depth).
- If sign has center support pole, additional units may be needed. Ensure even number of units on either side of pole.
- All recommendations are for reference only; actual applications may vary dependent on sign construction and graphics. For additional assistance or for non-rectangular signs, contact Keystone Technologies at 1-800-464-2680.

KT-SMB-HID1-E39 SIGN BASE STATION

PHYSICAL SPECIFICATIONS



WIRING



NOTE: For use only with Keystone KT-LED80HID-EX39-8XX-D/G2 and KT-LED100HID-EX39-8XX-D/G2 lamps



SIGN BASE STATION

KT-SMB-HID1-E39

SIGN BASE STATION

ORDERING INFORMATION

ORDER CODE	UPC	Easy Code
KT-SMB-HID1-E39	843654121581	YVI-85

CATALOG NUMBER BREAKDOWN

KT-SMB-HID1-E39

1 2 3 4 5

- 1 Keystone Technologies
- 2 Sign Mount Box
- 3 Lamp Type
- 4 Design Designation
- 5 Base Type