



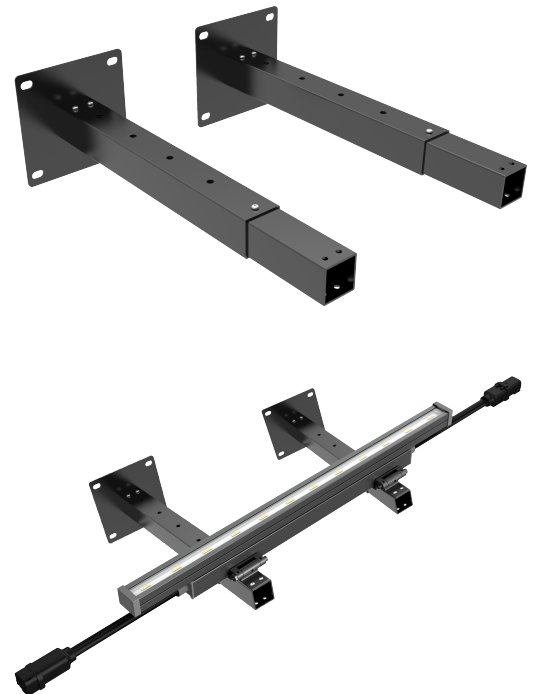
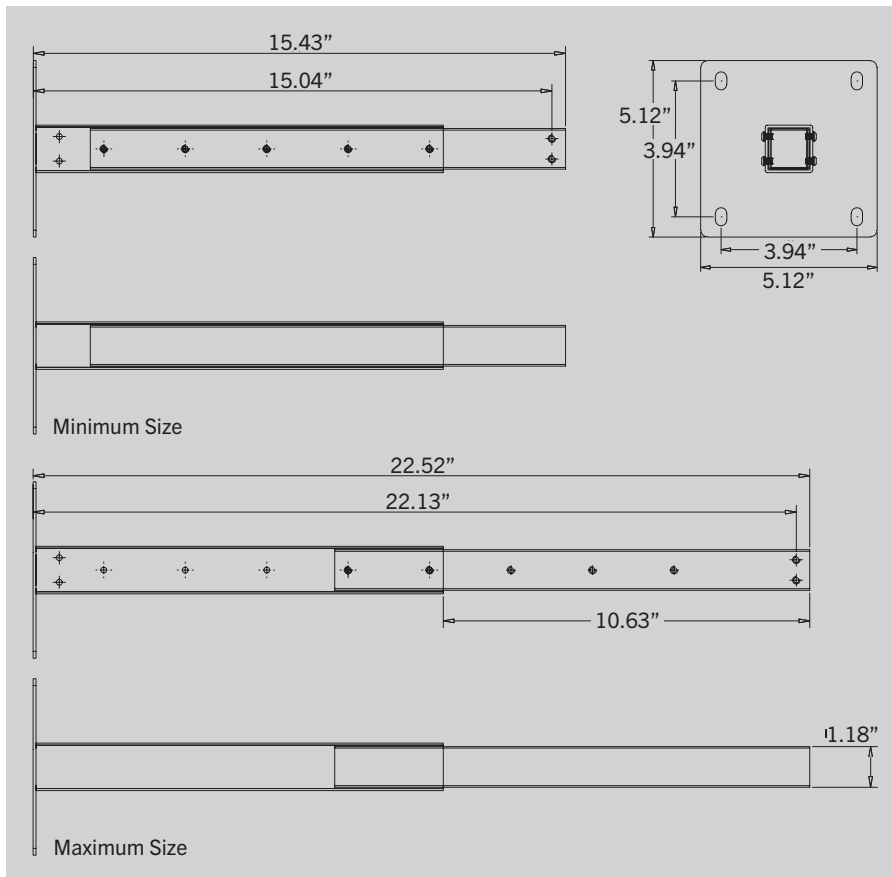
# KT-WWLED-LA-WMB-KIT

## WALL MOUNT BRACKET KIT

### DESCRIPTION

Wall Mount Bracket Kit for Linear Series A Wall Washers. Set of 2. Adjustable Distance 12" to 24" setback from wall. (Compatible with standard fixture mounting or Hinged Bracket Accessories.)

### DIMENSIONS



### ORDERING INFORMATION

CATALOG NUMBER	CARTON QTY.	UPC	EASY CODE
KT-WWLED-LA-WMB-KIT	TBD	843654152509	FJJ-25

### CATALOG NUMBER BREAKDOWN

# KT-WWLED-LA-WMB-KIT

- 1
- 2
- 3
- 4
- 5
- 6

- 1 Keystone Technologies
- 2 Wall Washer
- 3 LED
- 4 Linear Style A
- 5 Wall Mount Bracket
- 6 Kit