



# KT-LED17PLL-22G-850-D

## PLL LED LAMP

### DESCRIPTION

17W PLL LED | 5000K | >80 CRI | High-Efficiency



<b>LAMP TYPE:</b> PLL
<b>BASE TYPE:</b> 2G11
<b>WATTAGE:</b> 17W
<b>COLOR TEMPERATURE:</b> 5000K
<b>COLOR RENDERING INDEX (CRI):</b> >80
<b>WARRANTY:</b> 5 Years



### PRODUCT FEATURES

- Replacement for conventional fluorescent lamp
- UL Classified
- 50,000+ hour lifetime
- Approximately 50% more energy efficient than standard FT40/2G11 lamps
- Environmentally friendly: No mercury used
- Integral driver (isolated) eliminates the need for an external ballast or driver
- Instant startup
- Not dimmable
- Frosted lens eliminates pixelation
- Operating temperature: -20°C/-4°F to 45°C/113°F
- 100+ Lumens per Watt (bare lamp efficacy)
- Suitable for dry and damp locations
- NSF listed: NSF/ANSI Standard 2 – Food Equipment

### OPERATING SPECIFICATIONS

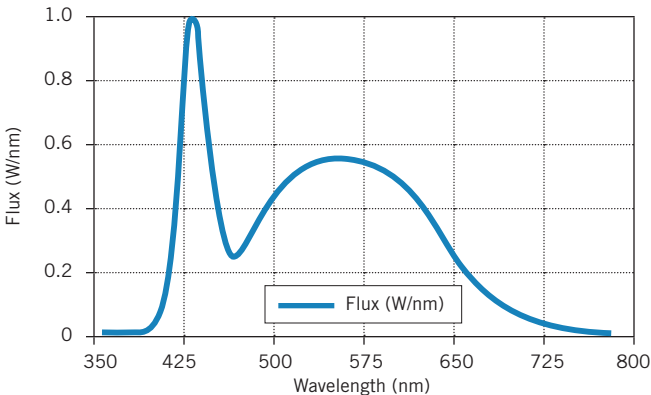
#### ELECTRICAL AND PERFORMANCE CHARACTERISTICS

Input Voltage	CRI	Bare Lamp Wattage	Nominal Lamp Lumens	Beam Angle	Nominal Bare Lamp Efficacy	Power Factor	Max. THD
120-277V	>80	17W	2200	220°	129 lm/W	>0.9	20%

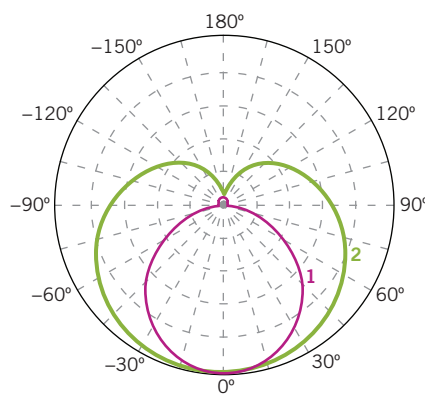
#### RATED LIFE

<b>L70 (Hours)</b>	50,000
--------------------	--------

#### SPECTRAL DISTRIBUTION



#### POLAR CANDELA DISTRIBUTION



Located at  
Horizontal Angle=0, Vertical Angle=0

Beam Angle: 220°

Visible Light Area: 325°

- 1 Violet Vertical Plane through Horizontal Angles (90-270)
- 2 Green Vertical Plane through Horizontal Angles (0-180)

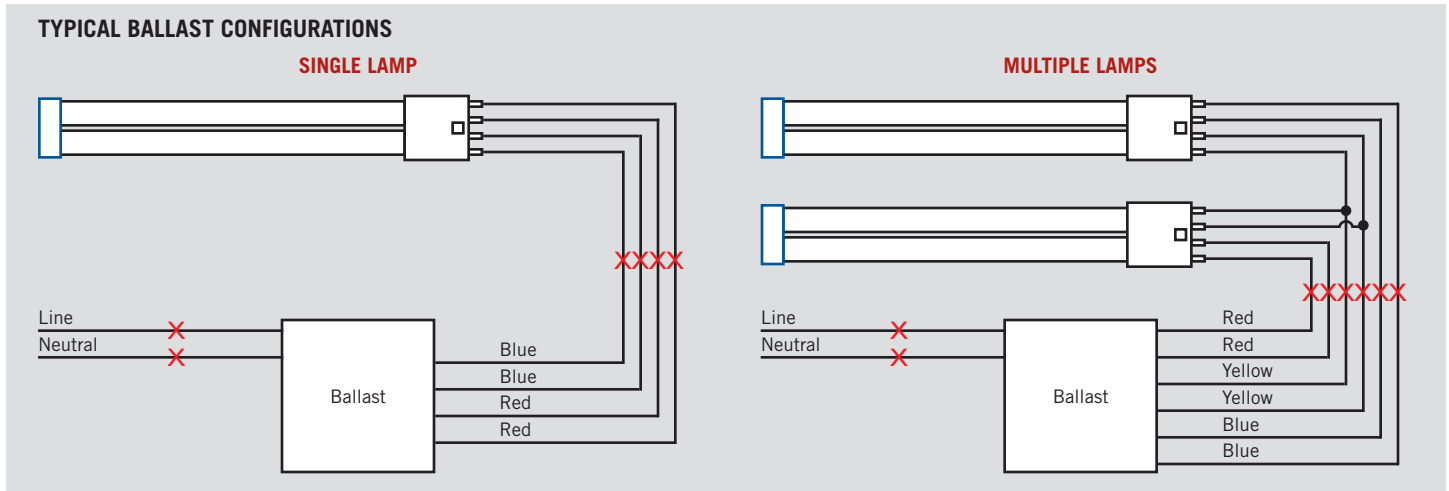


# KT-LED17PLL-22G-850-D

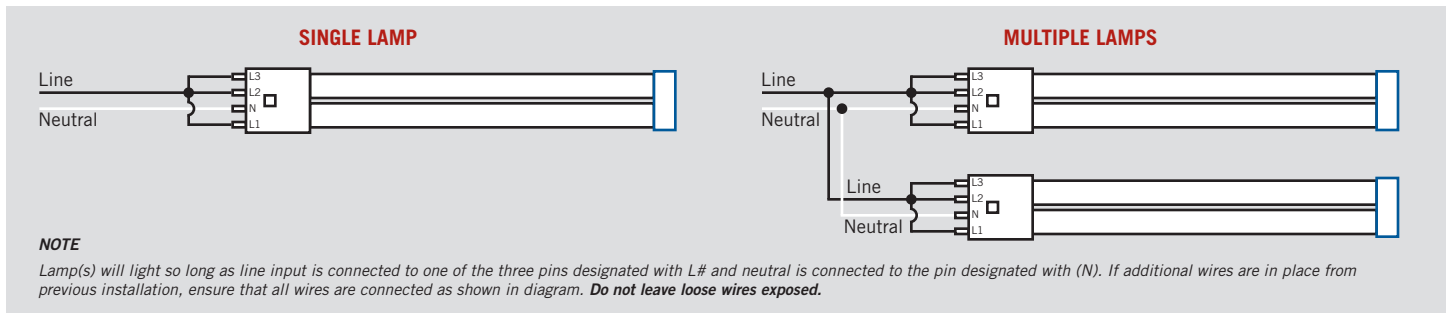
## PLL LED LAMP

### WIRING DIAGRAMS

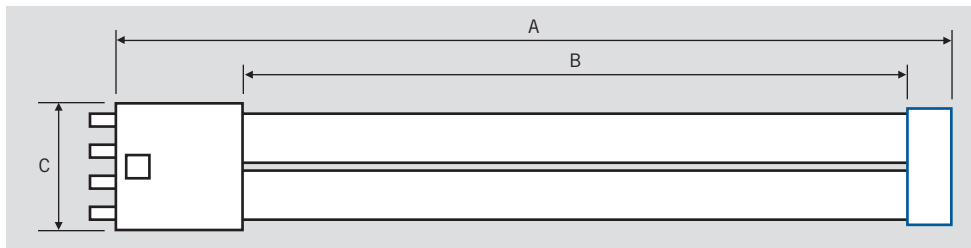
1. Cut all existing connections to ballast as shown below and remove ballast.



2. Re-wire fixture as shown below.



### PHYSICAL CHARACTERISTICS



#### LAMP DIMENSIONS

A (Body Length)	22.31"
B (Illuminated Length)	19.25"
C (Width)	1.73"

BASE TYPE: 2G11



# KT-LED17PLL-22G-850-D

PLL LED LAMP

**ORDERING INFORMATION**

ORDER CODE	PACK QTY.	EASY CODE	UPC
KT-LED17PLL-22G-850-D-CP	12	ERT-08	89094901286

**CATALOG NUMBER BREAKDOWN**

# KT-LED17PLL-22G-850-D-CP

- 1
- 2
- 3
- 4
- 5
- 6
- 7
- 8
- 9
- 10

- 1 Keystone Technologies
- 2 LED Lamp
- 3 Wattage
- 4 Lamp Type
- 5 Nominal Length (Inches)
- 6 Glass
- 7 800 Series
- 8 Color Temperature
- 9 Direct-Drive Series
- 10 Packaging Style