



# DIRECT DRIVE DX2

SINGLE- OR DOUBLE-ENDED LINE VOLTAGE LED TUBES

## KT-LED9T8-48G-850-DX2

### T8 LED LAMP

#### DESCRIPTION

9W T8 LED | 5000K | >83 CRI | High Efficiency | Single or Double-ended Wiring



<b>LAMP TYPE:</b> Linear
<b>BULB TYPE:</b> T8 LED
<b>BASE TYPE:</b> G13 (Medium Bi-Pin)
<b>WATTAGE:</b> 9W
<b>COLOR TEMPERATURE:</b> 5000K
<b>COLOR RENDERING INDEX (CRI):</b> >83
<b>WARRANTY:</b> 5 Years



#### PRODUCT FEATURES

- Replacement for conventional fluorescent lamps
- Single- or double-ended wiring
- 50,000+ hour lifetime
- Approximately 40% more energy efficient than standard F32T8 lamps
- Environmentally friendly: No mercury used
- Instant startup
- Frosted lens eliminates pixelation
- DLC Listed

- UL Classified
- UL Verified low optical flicker
- Operating Temperature: -20°C/-4°F to 45°C/113°F
- Integral driver (isolated), eliminates the need for external driver or ballast
- 170+ lumens per watt
- Compatible with KT-EMRG-LED-5-500-AC LED emergency back-up

#### OPERATING SPECIFICATIONS

##### ELECTRICAL CHARACTERISTICS

Input Voltage	Power Consumption	Power Factor	Input Current
120-277Vac	~9.5W	>0.9	0.08A @ 120V 0.03A @ 277V

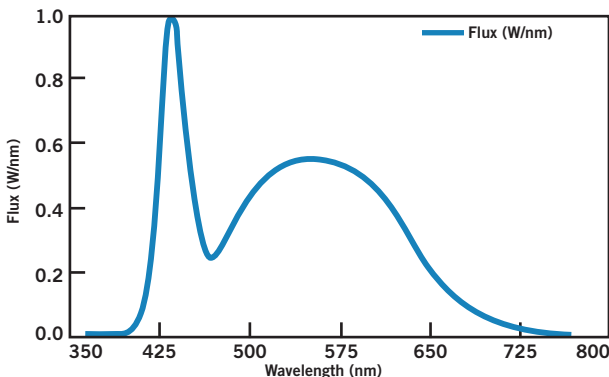
##### PHOTOMETRIC CHARACTERISTICS

Color Temperature (CCT)	5000K
Luminous Flux	1650 lm
Color Rendering Index (CRI)	>83
Efficacy	183 lm/W
Beam Angle	240°
Visible Light Area	325°

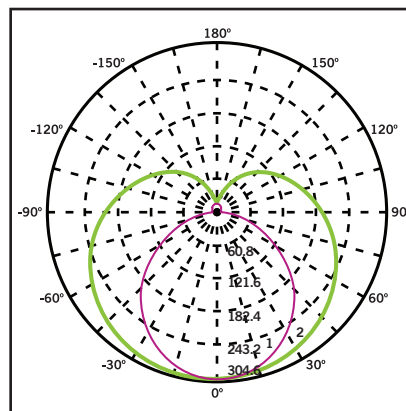
##### RATED LIFE

L70 (Hours)	50,000
-------------	--------

##### SPECTRAL DISTRIBUTION



##### POLAR CANDELA DISTRIBUTION



Maximum Candela = 1248.55  
Located at Horizontal Angle = 0,  
Vertical Angle 0

1. Violet Vertical Plane through Horizontal Angles (90-270)
2. Green Vertical Plane through Horizontal Angles (0-180)

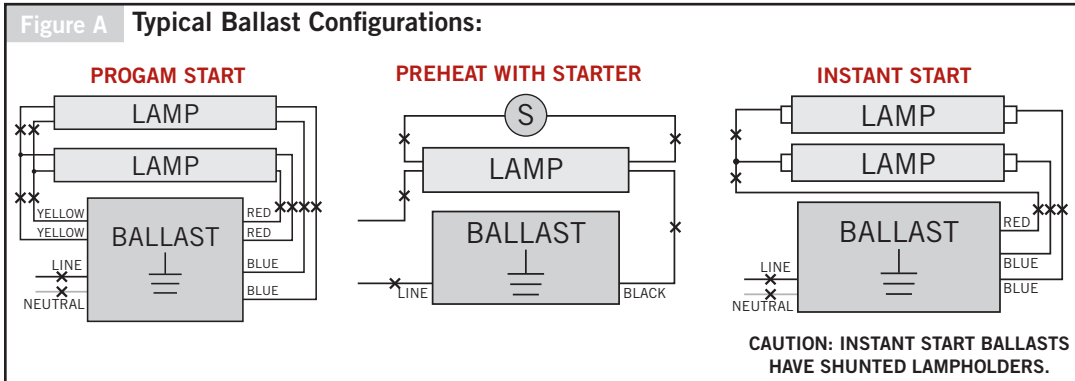


# KT-LED9T8-48G-850-DX2

## T8 LED LAMP

### SINGLE-ENDED WIRING DIAGRAM

1. Cut all existing connections to ballast as shown below and remove ballast. See Figure A for typical ballast configurations. **Note: Single-ended wiring requires non-shunted lampholders.**



**Typical Non-Shunted Lampholder**

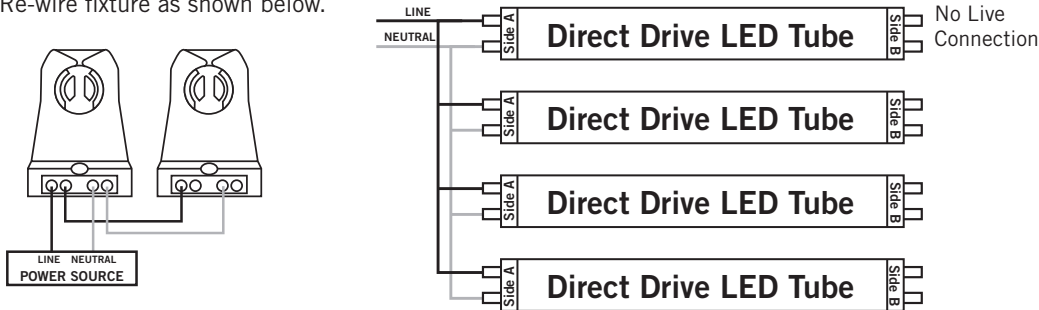
Connect wires directly to these terminals

**CAUTION: For Single-ended wiring use only non-shunted lampholders.**

For Single-ended wiring, do not install product in a fixture with shunted lampholders (found in all fixtures using instant start ballasts). If the current lampholders are shunted, remove them and replace them with non-shunted lampholders. Make new connections directly to terminals as indicated above.

Keystone can provide any style replacement lampholders. Call us at 800-464-2680.

2. Re-wire fixture as shown below.



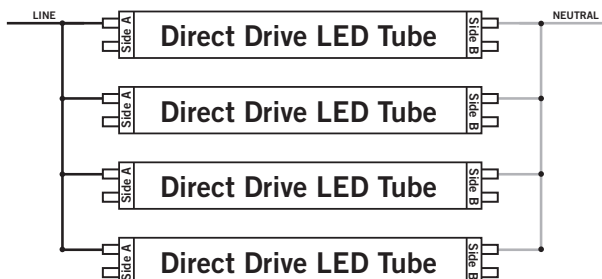
### DOUBLE-ENDED WIRING DIAGRAM

1. Cut all existing connections to ballast as shown below and remove ballast. See Figure A above for typical ballast configurations.

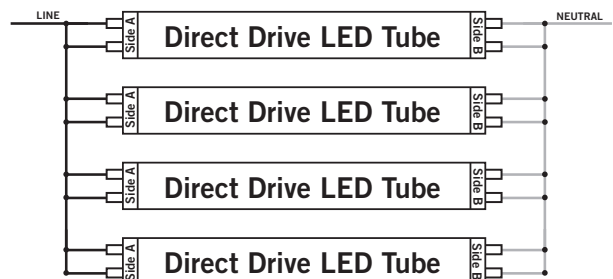
2. Re-wire fixture as shown below. For Double-ended wiring, use either shunted or nonshunted lampholders.

**Note: There should not be any exposed wires at the end of installation.**

Shunted Lampholders



Nonshunted Lampholders



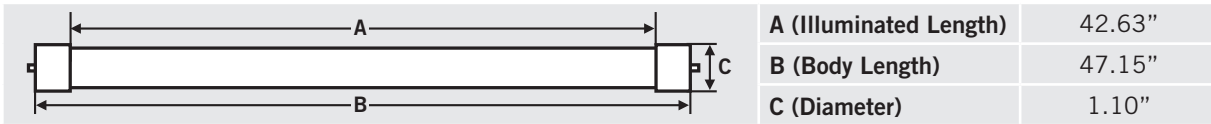


# KT-LED9T8-48G-850-DX2

## T8 LED LAMP

**PHYSICAL CHARACTERISTICS**

**LAMP DIMENSIONS**



**NOMINAL LENGTH:** 48"    **BASE TYPE:** G13 (Medium Bi-Pin)

**ORDERING INFORMATION**

ORDER CODE	PACKAGING STYLE	PACK QTY.	ITEM STATUS
KT-LED9T8-48G-850-DX2-CP	Carton Pack (Egg Crate Packaging)	25	Quick Ship

**CATALOG NUMBER BREAKDOWN**

# KT-LED9T8-48G-850-DX2-CP

