



ALUMAGROOVE®

KTAG-11L-350-30-9XX-RJ HIGH EFFICACY LINEAR LED MODULE

RoHS Compliant **5 YEAR WARRANTY**

DESCRIPTION

High efficacy linear LED modules pre-mounted into aluminum extension via a patented manufacturing method, 11" Long.

MODULE TYPE: Linear
MAX MODULE POWER: 10.5W
MAX DRIVE CURRENT: 350mA
COLOR RENDERING INDEX (CRI): >90
RECOMMENDED WIRING: Parallel Connection
WARRANTY: 5 Years

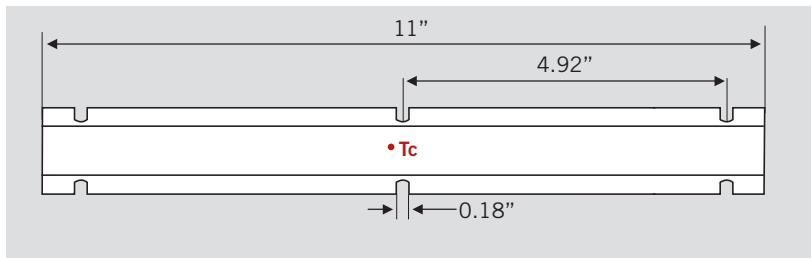


PRODUCT FEATURES

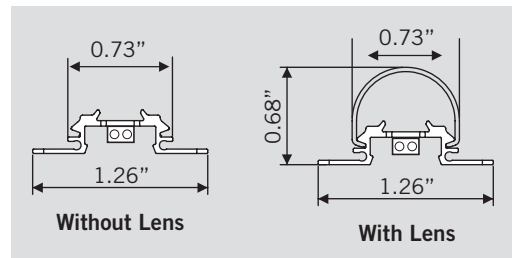
- For Use in Class 2 Lighting Systems Only
- High CRI for Truer Color Rendering
- Optional Lens Accessory
- Completely Heat Sunked, No Additional Heat Sinking Needed to maintain LED lifetime
- Low Profile, Push-In Connectors
- Made with UL Recognized Components
- 5-Step Color Binning
- 2835 LED Chip Package
- Reported Life Expectancy: L70 >54,000 hours at 85°C | L90 48,000 hours at 85°C
- Calculated Life Expectancy: L70 >160,000 hours at 85°C | L90 48,000 hours at 85°C
- Beam Angle: 120°
- Linkable in parallel with different length AlumaGroove Modules

PHYSICAL SPECIFICATIONS

Top View



Side View





ALUMAGROOVE®

KTAG-11L-350-30-9XX-RJ

HIGH EFFICACY LINEAR LED MODULE

PERFORMANCE SPECIFICATIONS

Drive Current mA	Volts	Watts	2700K				3000K				4000K				5000K			
			WITHOUT LENS		WITH LENS		WITHOUT LENS		WITH LENS		WITHOUT LENS		WITH LENS		WITHOUT LENS		WITH LENS	
			Flux	Efficacy lm/W	Flux	Efficacy lm/W	Flux	Efficacy lm/W	Flux	Efficacy lm/W	Flux	Efficacy	Flux	Efficacy lm/W	Flux	Efficacy	Flux	Efficacy lm/W
350	29.828	10.4	1172	112.2	1000	95.8	1178	112.8	1006	96.3	1208	115.7	1031	98.8	1232	118.0	1052	100.8
337.5	29.710	10.0	1139	113.5	962	96.0	1144	114.1	967	96.5	1173	117.0	1002	99.9	1197	119.4	1022	102.0
325	29.596	9.6	1104	114.8	934	97.1	1109	115.3	939	97.6	1138	118.3	973	101.1	1161	120.7	992	103.2
312.5	29.484	9.2	1070	116.1	904	98.2	1075	116.7	909	98.7	1102	119.6	942	102.2	1125	122.1	961	104.3
300	29.369	8.8	1034	117.4	875	99.4	1039	118.0	880	99.9	1066	121.0	911	103.4	1088	123.4	930	105.6
287.5	29.254	8.4	999	118.7	846	100.6	1004	119.3	850	101.1	1029	122.4	881	104.7	1050	124.9	899	106.9
275	29.139	8.0	963	120.1	816	101.8	967	120.7	820	102.3	992	123.8	849	106.0	1012	126.3	867	108.2
262.5	29.028	7.6	925	121.4	785	103.0	930	122.0	789	103.5	953	125.1	817	107.2	973	127.7	834	109.4
250	28.905	7.2	887	122.8	752	104.1	892	123.4	756	104.6	915	126.6	783	108.4	933	129.2	799	110.6
237.5	28.785	6.8	849	124.1	720	105.3	853	124.7	724	105.9	875	127.9	750	109.7	892	130.5	765	111.9
225	28.659	6.4	809	125.5	688	106.7	813	126.1	691	107.2	834	129.3	716	111.0	851	132.0	731	113.3
212.5	28.540	6.1	769	126.9	653	107.7	773	127.5	656	108.2	793	130.7	680	112.1	809	133.4	694	114.4
200	28.411	5.7	730	128.4	619	108.9	733	129.0	622	109.4	752	132.3	644	113.3	767	135.0	657	115.6
187.5	28.281	5.3	688	129.8	585	110.2	692	130.4	587	110.8	709	133.8	609	114.8	724	136.5	621	117.1
175	28.170	4.9	651	132.1	553	112.1	655	132.8	555	112.7	671	136.2	575	116.7	685	138.9	587	119.1
162.5	28.045	4.6	609	133.6	517	113.4	612	134.3	519	114.0	627	137.7	538	118.1	640	140.5	549	120.5
150	27.905	4.2	566	135.1	480	114.8	568	135.8	483	115.3	583	139.3	500	119.5	595	142.1	510	121.9
137.5	27.764	3.8	522	136.7	443	116.1	524	137.4	445	116.7	538	140.9	461	120.9	549	143.7	471	123.3
125	27.624	3.5	477	138.2	405	117.4	480	138.9	407	118.0	492	142.5	422	122.3	502	145.4	431	124.7

Circuit Layout	
No. of LED's in Series	No. of LED's in Parallel
10	4

ACCESSORIES

Lens	KTAG-11L-LENS*
------	----------------

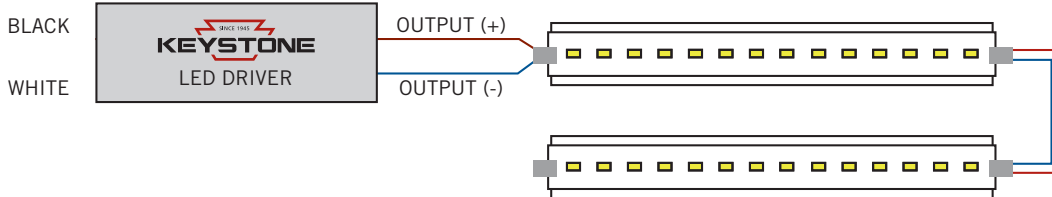
*Polycarbonate, Flammability Rating V-2



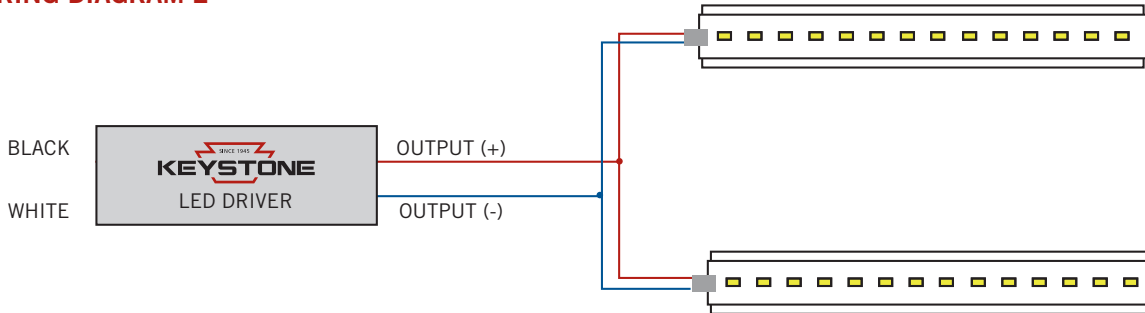
KTAG-11L-350-30-9XX-RJ

HIGH EFFICACY LINEAR LED MODULE

WIRING DIAGRAM 1



WIRING DIAGRAM 2



CATALOG NUMBER BREAKDOWN

KTAG-11L-350-30-9XX-RJ

1

2

3

4

5

6

7

- 1 Keystone Technologies AlumaGroove
- 2 Nominal Length
- 3 Max. Drive Current
- 4 Nominal Forward Voltage
- 5 900 Series
- 6 Color Temperature
- 7 Rear-Junction Connection