



KTLD-10-1-XXX-FDIM-AF1

CONSTANT CURRENT LED DRIVER



DESCRIPTION

LED Driver | 10W | 120V Input | 300-700mA Output

TOTAL POWER: 10W	OUTPUT CURRENT: 300-700mA
INPUT VOLTAGE: 120Vac ± 10%	DIMMING: Phase Control
INPUT FREQUENCY: 60 Hz	WARRANTY: 5 Years

ELECTRICAL SPECIFICATIONS

Input Voltage Range	120Vac ± 10%
Frequency	60 Hz
Power Factor	> 0.9 under 120Vac input with 80~100% load condition (For All Output Voltage)
Inrush Current	10A @120V
Max. Input Current	0.1A @120V
THD	< 20% under 120Vac input with 80~100% load condition (For All Output Voltage)
Load Regulation	± 2%
Line Regulation	± 1%
Output Tolerance	± 5% at Full Load Condition
Turn-On Delay Time	< 0.5s at full load condition
Overshoot	< 10% at full load condition
No Load Power Consumption	< 1W
Withstand Voltage	Input to output, 2,800Vdc, 2mA
Leakage Current	Maximum 0.5mA at 120Vac, 60Hz input
Protection	<ul style="list-style-type: none"> • Over Voltage Protection: Hiccup mode. Protection will trigger when load voltage exceeds specified output voltage and will auto recover after the fault mode is removed. • Over Current Protection: Hiccup mode. Protection will trigger when load current exceeds specified output current and will auto recover after the fault mode is removed. • Short Circuit Protection: Hiccup mode. Protection will trigger when short circuited and will auto recover after the fault mode is removed.

PRODUCT SPECIFICATIONS

Catalog Number	Max. Output Power	Output Current	Output Voltage	OCV	Typical Efficiency at 120V	Remote Mounting Distance (#18 AWG)	Class 2	
							US	Canada
KTLD-10-1-300-FDIM-AF1	10W	300mA	10-33V	46V	75%	124 ft	✓	✓
KTLD-10-1-400-FDIM-AF1	10W	400mA	10-25V	38V	75%	93 ft	✓	✓
KTLD-10-1-500-FDIM-AF1	10W	500mA	10-20V	31V	75%	74 ft	✓	✓
KTLD-10-1-600-FDIM-AF1	10W	600mA	8-17V	28V	75%	62 ft	✓	✓
KTLD-10-1-700-FDIM-AF1	10W	700mA	7-14V	25V	75%	53 ft	✓	✓

ENVIRONMENTAL SPECIFICATIONS

Operating Temperature	-40 to 60°C
Storage Temperature	-40 to 85°C
Humidity	5% to 95%
MTBF	570,000 hours at 40°C ambient (~70°C Case temp)
Life Rating	80,000 hours at 120Vac input, 100% load and 60°C case temperature
Maximum Case Temperature	90°C

SAFETY AND EMC COMPLIANCE

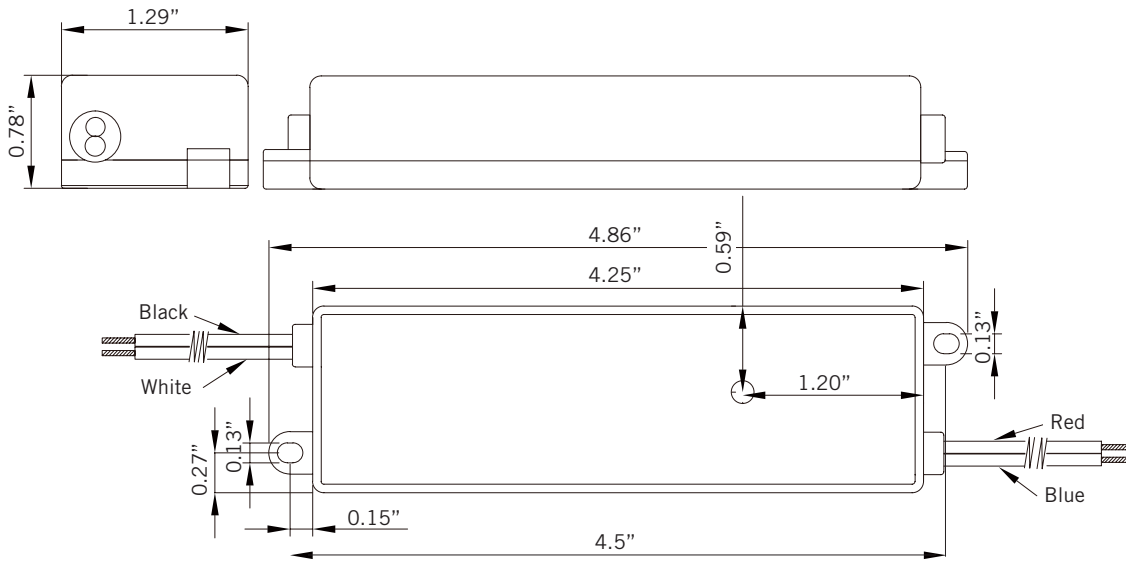
UL/cUL	UL 8750, Class P, Type HL
CE	EN61347-1, EN61347-2-13
FCC, 47CFR Part 15	ANSI C63.4:2009 Class B (Consumer Limit)
EN61000-3-2	Harmonic Current Emissions Class C



KTLD-10-1-XXX-FDIM-AF1

CONSTANT CURRENT LED DRIVER

PHYSICAL SPECIFICATIONS



WIRING DIAGRAM



WIRING SPECIFICATIONS

INPUT	12", UL 1316 #18AWG (Black and White)
OUTPUT	12", UL 1316 #18AWG (Red and Blue)

ORDERING INFORMATION

ORDER CODE	PACKAGING STYLE	PACK QTY.	ITEM STATUS
KTLD-10-1-XXX-FDIM-AF1-CP	Carton Pack	TBD	Quick Ship

CATALOG NUMBER BREAKDOWN

