

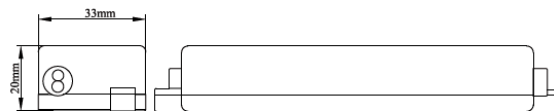


<b>KTLD-14-UV-xxx-VDIM-AF1</b>
Constant current LED driver
Total power: 14W
Input voltage: 120~277Vac ± 10%
Number of outputs: One
UL Listed, Class P
IP20 design for dry and damp location
Dimmable with 0-10V dimmer
5 year warranty

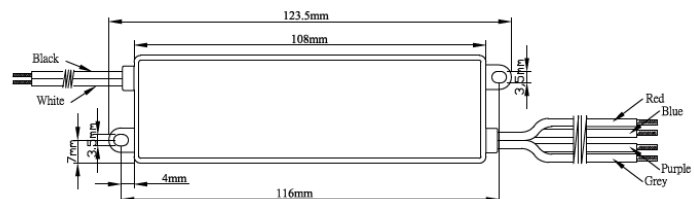
ELECTRICAL SPECIFICATIONS:		ENVIRONMENTAL SPECIFICATIONS:	
Input voltage range:	120~277Vac ± 10%	Operating temperature:	-40 to 60°C
Frequency:	50/60Hz	Storage temperature:	-40 to 85°C
Power factor:	> 0.9 under 120~277Vac input with 80~100% load condition (for all output voltage)	Humidity:	5% to 95%
Inrush current:	3A @120V	MTBF:	570,000 hours at 40°C ambient (~70°C Case temp)
Max input current:	0.18A @120V, 0.09A @240V and 0.08A@277V	Maximum case Temperature	90°C
THD:	<20%		
Protection:	Short circuit, over current and over temperature		
Withstand voltage	I/P – O/P 2k Vac		

PRODUCT SPECIFICATIONS:							
Model Number	Max output power	Output Current	Output Voltage	Efficiency	Remote mounting distance (#18 AWG)	Class 2	
						US	Canada
KTLD-14-UV-250-VDIM-AF1	14W	250mA	25 - 56V	85%	59 ft	√	
KTLD-14-UV-280-VDIM-AF1	14W	280mA	25 - 50V	85%	52 ft	√	
KTLD-14-UV-300-VDIM-AF1	14W	300mA	20 - 40V	85%	49 ft	√	√
KTLD-14-UV-400-VDIM-AF1	14W	400mA	18 - 35V	85%	36 ft	√	√
KTLD-14-UV-500-VDIM-AF1	14W	500mA	14 - 28V	85%	29 ft	√	√
KTLD-14-UV-600-VDIM-AF1	14W	600mA	12 - 23V	85%	24 ft	√	√
KTLD-14-UV-700-VDIM-AF1	14W	700mA	12 - 20V	84%	21 ft	√	√
KTLD-14-UV-800-VDIM-AF1	14W	800mA	12 - 18V	84%	18 ft	√	√
KTLD-14-UV-900-VDIM-AF1	14W	900mA	12 - 16V	84%	16 ft	√	√

SAFETY AND EMC COMPLIANCE:	
UL/cUL	UL Listed, Class P
FCC, 47CFR Part 15	Class B Consumer Limit
EN61000-3-2	

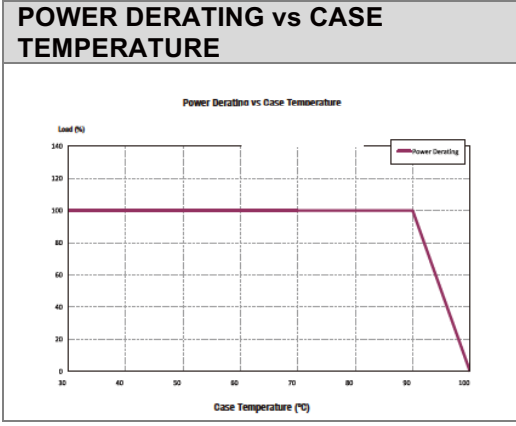
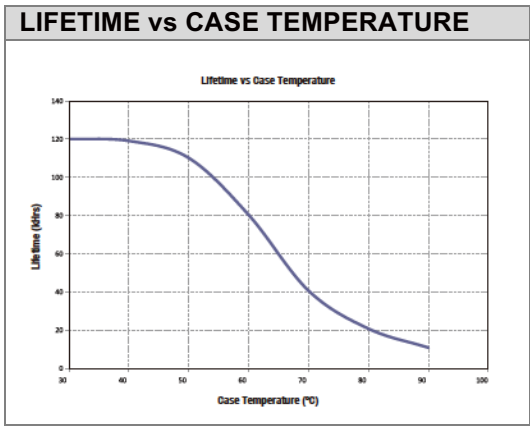
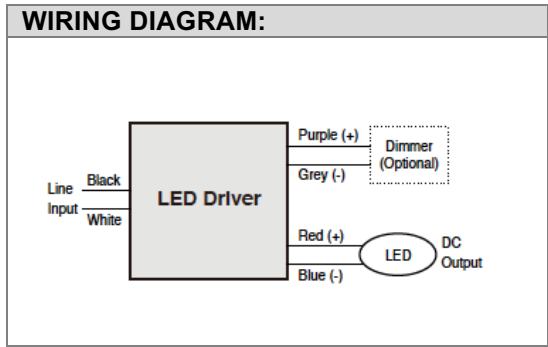


PHYSICAL DIMENSIONS:	
Length (L):	4.86"
Width (W):	1.30"
Height (H):	0.79"
Mounting (M):	4.57"
Weight:	0.1 kg



Keystone Technologies • 1390 Welsh Road, North Wales, PA 19454  
 Phone (800) 464-2680 • Fax (888) 966-0556 • [www.keystonetech.com](http://www.keystonetech.com)

WIRE SPECIFICATIONS:	
Input:	12", UL 1316 #18AWG (Black and White)
Output:	12", UL 1430 #22AWG (Red and Blue)
Dimming:	12", UL 1430 #22AWG (Purple and Gray)



**POWER FACTOR vs LOAD: TBD**

**Keystone Technologies** • 1390 Welsh Road, North Wales, PA 19454  
 Phone (800) 464-2680 • Fax (888) 966-0556 • [www.keystonetech.com](http://www.keystonetech.com)