



KTLD-25-UV-xxx-VDIM-L9
Constant current LED driver
Total power: 25W
Input voltage: 120~277Vac ± 10%
Number of outputs: One
UL 8750
IP20 design for dry and damp location
Dimmable with 0-10V dimmer
5 year warranty

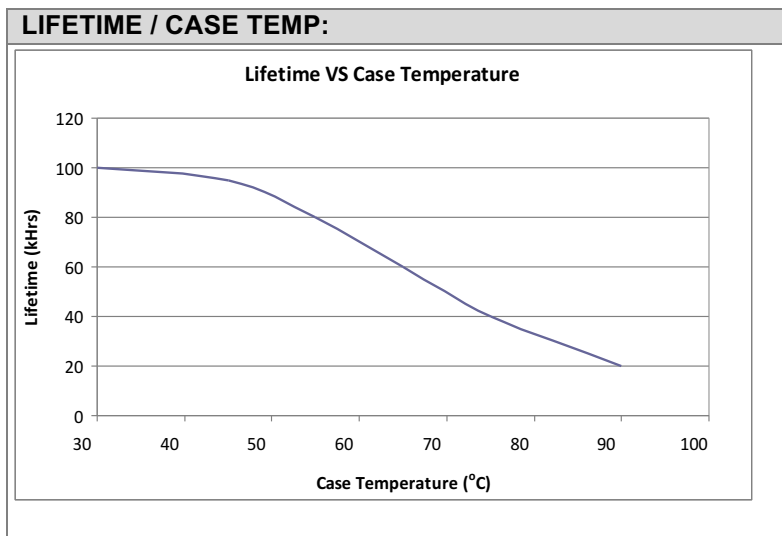
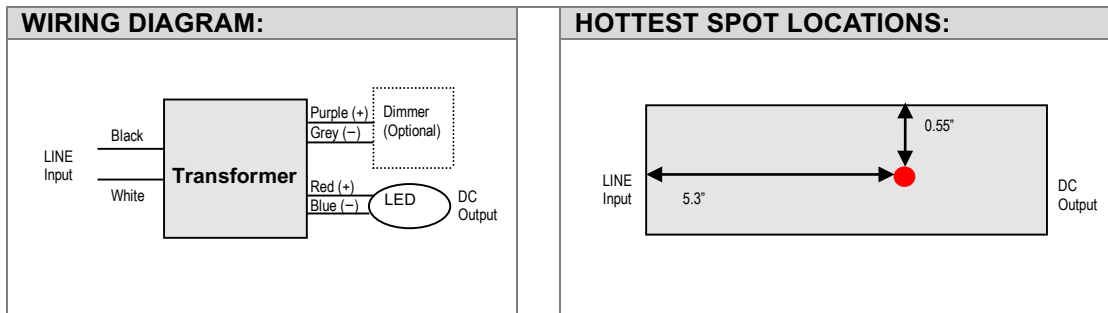
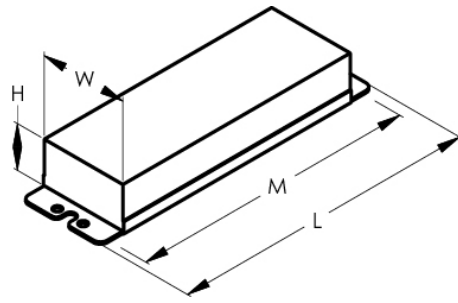
ELECTRICAL SPECIFICATIONS:		ENVIRONMENTAL SPECIFICATIONS:	
Input voltage range:	120~277Vac ± 10%	Operating temperature:	-30 to 60°C
Frequency:	50/60Hz	Storage temperature:	-40 to 85°C
Power factor:	>0.9 @full load, 120V through 277V	Humidity:	5% to 95%
Inrush current:	7A @230V	MTBF:	440,000 hours at 40°C ambient (~70°C Case temp)
Max input current:	0.26A @120V and 0.11A @ 277V	Maximum case Temperature	90°C
THD:	<20%		
Protection:	Over voltage, Over current and Short circuit		
Withstand voltage	I/P – O/P 2k Vac		

PRODUCT SPECIFICATIONS:							
Model Number	Max output power	Output Current	Output Voltage	Efficiency	Remote mounting distance (#18 AWG)	Class 2	
						US	Canada
KTLD-25-UV-700-VDIM-L9	25W	700mA	18 - 36V	80%	54 ft	√	√
KTLD-25-UV-800-VDIM-L9	25W	800mA	16 – 32V	80%	48 ft	√	√
KTLD-25-UV-900-VDIM-L9	25W	900mA	14 – 28V	80%	42 ft	√	√
KTLD-25-UV-1000-VDIM-L9	25W	1000mA	12 – 25V	80%	38 ft	√	√
KTLD-25-UV-1100-VDIM-L9	25W	1100mA	12 – 23V	80%	34 ft	√	√
KTLD-25-UV-1200-VDIM-L9	25W	1200mA	12 – 21V	80%	32 ft	√	√
KTLD-25-UV-1300-VDIM-L9	25W	1300mA	12 – 19V	80%	29 ft	√	√
KTLD-25-UV-1400-VDIM-L9	25W	1400mA	12 – 18V	80%	27 ft	√	√

SAFETY AND EMC COMPLIANCE:	
UL/cUL	UL 8750
FCC, 47CFR Part 15	Class B Consumer Limit
EN61000-3-2	

Keystone Technologies • 208 Progress Drive, North Wales, PA 19454
 Phone (800) 464-2680 • Fax (888) 966-0556 • www.keystoneballast.com

PHYSICAL DIMENSIONS:	
Length (L):	9.57"
Width (W):	1.13"
Height (H):	1.07"
Mounting (M):	8.90"
Weight:	0.40 kg
WIRE SPECIFICATIONS:	
Input:	12", UL 1316 #18AWG (Black and White)
Output:	12", UL 1316 #22AWG (Red and Blue)
Dimming:	12", UL 1316/1430 #22AWG (Purple and Grey)



Keystone Technologies • 208 Progress Drive, North Wales, PA 19454
 Phone (800) 464-2680 • Fax (888) 966-0556 • www.keystoneballast.com