



# KTLD-4LT8-UV-8C-VDIM

## CONSTANT CURRENT LED DRIVERS FOR TYPE C LED T8 LAMPS

### DESCRIPTION



Constant Current Output | 120-277V Input | 0-10V Dimming

<b>DRIVER TYPE:</b> Constant Current
<b>MAX. OUTPUT POWER:</b> 33.3W
<b>INPUT VOLTAGE:</b> 120-277Vac ±10%
<b>OUTPUT VOLTAGE:</b> 36~45 Vdc
<b>OUTPUT CURRENT:</b> 185mA x 4 channels
<b>WARRANTY:</b> 5 Years



### PRODUCT FEATURES

- Compatible with Keystone External Drive T8 LED Lamps
- Meets FCC Part 15 (Class B) Consumer Limits
- Short Circuit Overload and Open Load Protection
- Type 1 Outdoor, Suitable for Dry and Damp Locations
- UL8750 Recognized Component
- Dimmable with 0-10V Dimmer
- Operating Temperature: -20°C/-4°F to 45°C/113°F
- 85°C/185°F Maximum Case Temperature
- Input Frequency: 50/60 Hz
- THD: < 20%

## SPECIFICATIONS

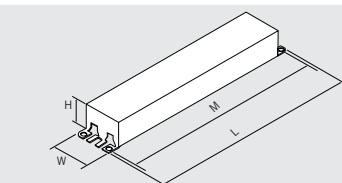
### ELECTRICAL SPECIFICATIONS

INPUT CHARACTERISTICS				OUTPUT CHARACTERISTICS			FEATURES
Input Voltage	Input Power	Power Factor	Max. Current	Max. Output Power	Rated Output Current	Output Voltage	Efficiency
120-277Vac	40.8W	>0.9	0.34A @ 120V	33.3W	185mA x 4 Channels	36-45Vdc	88%

### MECHANICAL SPECIFICATIONS

#### CASE DIMENSIONS

KTLD-4LT8-UV-xxC-VDIM	
LENGTH	9.5"
WIDTH	1.8"
HEIGHT	1.3"
MOUNTING	8.9"



\*TC Point (85°C) is noted on each driver label



# KTLD-4LT8-UV-8C-VDIM

CONSTANT CURRENT LED DRIVERS FOR TYPE C LED T8 LAMPS

## MECHANICAL SPECIFICATIONS

### STANDARD LEAD LENGTHS\*

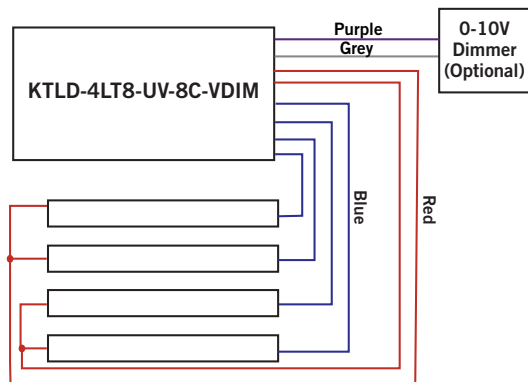
WHITE	30.00"
BLACK	30.00"
RED	30.00"
BLUE	30.00"
PURPLE	30.00"
GRAY	30.00"

**CASE MATERIAL:** Metal

INPUT WIRES	18 AWG 105°C/600V
OUTPUT WIRES	18 AWG 105°C/600V

\*Consult Keystone for special lead length requirements.

## WIRING DIAGRAM



\*For 3 Lamp applications, cap off 1 blue lead

## ORDERING INFORMATION

ORDER CODE	PACKAGING STYLE	PACK QTY.	ITEM STATUS
KTLD-4LT8-UV-8C-VDIM-CP	Carton Pack	25	Active

## CATALOG NUMBER BREAKDOWN

# KTLD-4LT8-UV-8C-VDIM-CP

