



KTLD-50-UV-XXX-VDIM-L9

CONSTANT CURRENT LED DRIVER



DESCRIPTION

LED Driver | 50W | 120-277V Input | 700-2100mA Output

TOTAL POWER: 50W	OUTPUT CURRENT: 700-2100mA
INPUT VOLTAGE: 120~277Vac ± 10%	DIMMING: 0-10V
INPUT FREQUENCY: 50/60 Hz	WARRANTY: 5 Years

ELECTRICAL SPECIFICATIONS

Input Voltage Range	120~277Vac ± 10%
Frequency	50/60 Hz
Power Factor	> 0.9 under 120~277Vac input with 80~100% load condition (For All Output Currents)
Inrush Current	40A @120V
Max. Input Current	0.53A @120V, 0.28A @240V and 0.24A @277V
THD	< 20% under 120~277Vac input with 80~100% load condition (For All Output Currents)
Load Regulation	± 1%
Line Regulation	± 1%
Output Tolerance	± 5% at Full Load Condition
Turn-On Delay Time	< 0.75s at Full Load Condition
Overshoot	< 10% at Full Load Condition
No Load Power Consumption	< 2W
Ripple & Noise (pk-pk)	< 3%
Withstand Voltage	Input to output, 2,800Vdc, 2mA
Leakage Current	Maximum 0.5mA at 277Vac, 60Hz input
Protection	<ul style="list-style-type: none"> • Over Voltage Protection: Hiccup mode. Protection will trigger when load voltage exceeds specified output voltage and will auto recover after the fault mode is removed. • Over Current Protection: Hiccup mode. Protection will trigger when load current exceeds specified output current and will auto recover after the fault mode is removed. • Short Circuit Protection: Hiccup mode. Protection will trigger when short circuited and will auto recover after the fault mode is removed.

PRODUCT SPECIFICATIONS

Catalog Number	Max. Output Power	Output Current	Output Voltage	OCV	Typical Efficiency at 120V	Typical Efficiency at 240V	Typical Efficiency at 277V	Remote Mounting Distance (#18 AWG)	Class 2	
									US	Canada
KTLD-50-UV-700-VDIM-L9	50W	700mA	36-71V	95V	86%	87%	87%	21 ft		
KTLD-50-UV-800-VDIM-L9	50W	800mA	31-63V	81V	86%	87%	87%	18 ft		
KTLD-50-UV-900-VDIM-L9	50W	900mA	28-56V	69V	86%	87%	87%	16 ft	✓	
KTLD-50-UV-1000-VDIM-L9	50W	1000mA	25-50V	63V	86%	87%	87%	14 ft	✓	
KTLD-50-UV-1100-VDIM-L9	50W	1100mA	23-45V	58V	86%	87%	87%	13 ft	✓	
KTLD-50-UV-1200-VDIM-L9	50W	1200mA	21-42V	55V	85%	86%	86%	12 ft	✓	✓
KTLD-50-UV-1300-VDIM-L9	50W	1300mA	19-38V	50V	85%	86%	86%	11 ft	✓	✓
KTLD-50-UV-1400-VDIM-L9	50W	1400mA	18-36V	48V	84%	86%	86%	10 ft	✓	✓
KTLD-50-UV-1500-VDIM-L9	50W	1500mA	17-33V	45V	84%	86%	86%	9 ft	✓	✓
KTLD-50-UV-1600-VDIM-L9	50W	1600mA	16-31V	42V	84%	86%	86%	9 ft	✓	✓
KTLD-50-UV-1700-VDIM-L9	50W	1700mA	15-29V	40V	84%	86%	86%	8 ft	✓	✓
KTLD-50-UV-1800-VDIM-L9	50W	1800mA	14-28V	39V	84%	86%	86%	8 ft	✓	✓
KTLD-50-UV-1900-VDIM-L9	50W	1900mA	13-26V	37V	84%	86%	86%	7 ft	✓	✓
KTLD-50-UV-2000-VDIM-L9	50W	2000mA	13-25V	36V	84%	86%	86%	7 ft	✓	✓
KTLD-50-UV-2100-VDIM-L9	50W	2100mA	12-24V	35V	84%	86%	86%	7 ft	✓	✓



KTLD-50-UV-XXX-VDIM-L9

CONSTANT CURRENT LED DRIVER

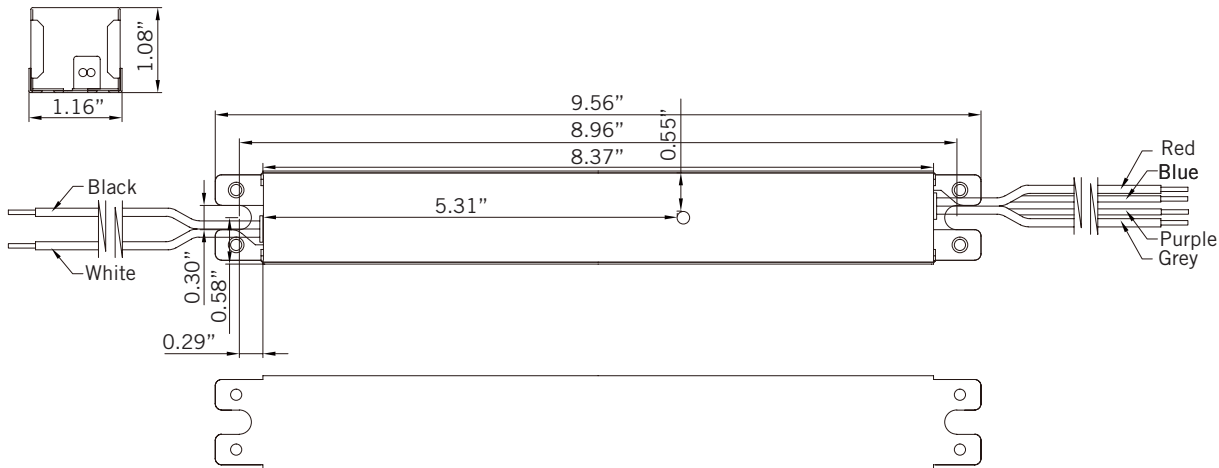
ENVIRONMENTAL SPECIFICATIONS

Operating Temperature	-40 to 60°C
Storage Temperature	-40 to 85°C
Humidity	5% to 95%
MTBF	270,000 hours at 40°C ambient (~70°C Case temp)
Life Rating	93,000 hours at 120Vac input, 100% load and 60°C case temperature
Maximum Case Temperature	90°C

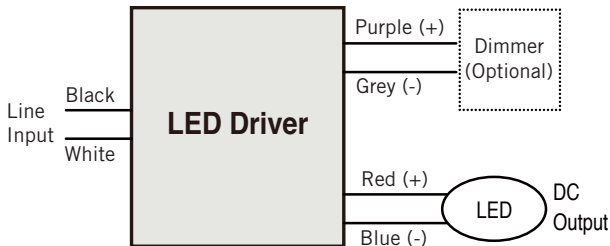
SAFETY AND EMC COMPLIANCE

UL/cUL	UL 8750, Class P, Type HL
CE	EN61347-1, EN61347-2-13
FCC, 47CFR Part 15	ANSI C63.4:2009 Class B (Consumer Limit)
EN61000-3-2	Harmonic Current Emissions Class C

PHYSICAL SPECIFICATIONS



WIRING DIAGRAM



WIRING SPECIFICATIONS

INPUT	12", UL 1316 #18AWG (Black and White)
OUTPUT	12", UL 1316 #22AWG (Red and Blue)

ORDERING INFORMATION

ORDER CODE	PACKAGING STYLE	PACK QTY.	ITEM STATUS
KTLD-50-UV-XXX-VDIM-L9-CP	Carton Pack	TBD	Quick Ship

CATALOG NUMBER BREAKDOWN

KTLD-50-UV-XXX-VDIM-L9-CP

Keystone Technologies LED Driver	Max. Output Wattage	120-277V Input	Output Current	0-10V Dimming	Case Style	Packaging Style
-------------------------------------	------------------------	-------------------	-------------------	------------------	---------------	--------------------