



KTLD-60-UV-XXX-VDIM-AR1

CONSTANT CURRENT LED DRIVER

DESCRIPTION

LED Driver | 60W | 120-277V Input | 540-1750mA Output



TOTAL POWER: 60W	OUTPUT CURRENT: 540-1750mA
INPUT VOLTAGE: 120~277Vac ± 10%	DIMMING: 0-10V
INPUT FREQUENCY: 50/60 Hz	WARRANTY: 5 Years

ELECTRICAL SPECIFICATIONS

Input Voltage Range	120~277Vac ± 10%
Frequency	50/60 Hz
Power Factor	> 0.9 under 120~277Vac input with 80~100% load condition (For All Output Currents)
Inrush Current	30A @120V
Max. Input Current	0.69A @120V, 0.36A @240V and 0.31A @277V
THD	< 20% under 120~277Vac input with 80~100% load condition (For All Output Currents)
Load Regulation	± 2%
Line Regulation	± 1%
Output Tolerance	± 5% at Full Load Condition
Turn-On Delay Time	< 1s at Full Load Condition
Overshoot	< 10% at Full Load Condition
No Load Power Consumption	< 2W
Ripple & Noise (pk-pk)	< 3%
Withstand Voltage	Input to output, 2,800Vdc, 2mA
Leakage Current	Maximum 0.5mA at 277Vac, 60Hz input
Protection	<ul style="list-style-type: none"> • Over Voltage Protection: Hiccup mode. Protection will trigger when load voltage exceeds specified output voltage and will auto recover after the fault mode is removed. • Over Current Protection: Hiccup mode. Protection will trigger when load current exceeds specified output current and will auto recover after the fault mode is removed. • Short Circuit Protection: Hiccup mode. Protection will trigger when short circuited and will auto recover after the fault mode is removed. • Over Temperature Protection: Protection will trigger when driver overheat and auto-recovery when cooled down.

PRODUCT SPECIFICATIONS

Catalog Number	Max. Output Power	Output Current	Output Voltage	OCV	Typical Efficiency at 120V	Typical Efficiency at 240V	Typical Efficiency at 277V	Remote Mounting Distance (#22 AWG)	Class 2	
									US	Canada
KTLD-60-UV-540-VDIM-AR1	60W	540mA	55-111V	120V	86%	87%	88%	27 ft		
KTLD-60-UV-600-VDIM-AR1	60W	600mA	50-100V	106V	86%	87%	88%	24 ft		
KTLD-60-UV-700-VDIM-AR1	60W	700mA	43-86V	92V	86%	87%	88%	21 ft		
KTLD-60-UV-800-VDIM-AR1	60W	800mA	38-75V	80V	86%	87%	88%	18 ft		
KTLD-60-UV-900-VDIM-AR1	60W	900mA	33-67V	72V	86%	87%	88%	16 ft		
KTLD-60-UV-1000-VDIM-AR1	60W	1000mA	30-60V	65V	86%	87%	88%	14 ft	✓	
KTLD-60-UV-1070-VDIM-AR1	60W	1070mA	28-56V	60V	86%	87%	88%	13 ft	✓	
KTLD-60-UV-1750-VDIM-AR1	60W	1750mA	10-34V	38V	86%	87%	87%	8 ft	✓	✓

ENVIRONMENTAL SPECIFICATIONS

Operating Temperature	-40 to 60°C
Storage Temperature	-40 to 85°C
Humidity	5% to 95%
MTBF	346,000 hours at 40°C ambient (~70°C Case temp)
Life Rating	97,500 hours at 120Vac input, 100% load and 60°C case temperature
Maximum Case Temperature	90°C

SAFETY AND EMC COMPLIANCE

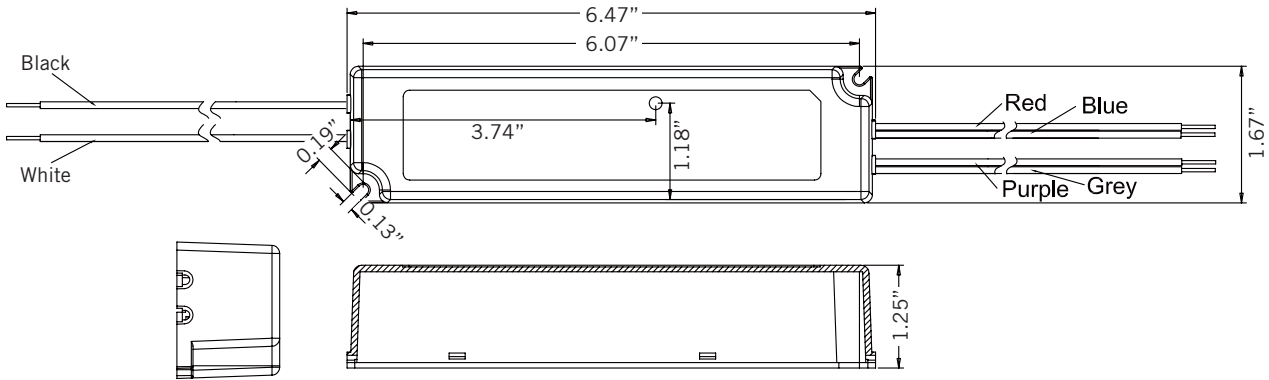
UL/cUL	UL 8750, Class P, Type HL
CE	EN61347-1, EN61347-2-13
FCC, 47CFR Part 15	ANSI C63.4:2009 Class B (Consumer Limit)
EN61000-3-2	Harmonic Current Emissions Class C



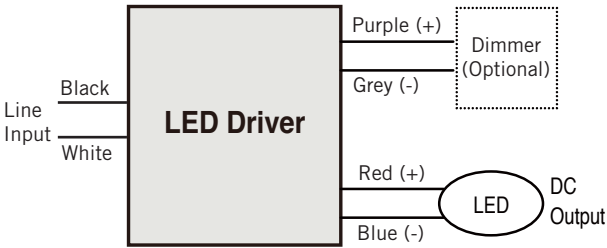
KTLD-60-UV-XXX-VDIM-AR1

CONSTANT CURRENT LED DRIVER

PHYSICAL SPECIFICATIONS



WIRING DIAGRAM



WIRING SPECIFICATIONS

INPUT	12", UL 1316 #18AWG (Black and White)
OUTPUT	12", UL 1569 #18AWG (With Non-Class 2 Output) 12", UL 1430 #20AWG (With Class 2 Output) (Red and Blue)

ORDERING INFORMATION

ORDER CODE	PACKAGING STYLE	PACK QTY.	ITEM STATUS
KTLD-60-UV-XXX-VDIM-AR1-CP	Carton Pack	TBD	Quick Ship

CATALOG NUMBER BREAKDOWN

KTLD-60-UV-XXX-VDIM-AR1-CP

