



KTLD-80-UV-XXX-VDIM-L5

CONSTANT CURRENT LED DRIVER



DESCRIPTION

LED Driver | 80W | 120-277V Input | 500-3000mA Output

TOTAL POWER: 80W	OUTPUT CURRENT: 500-3000mA
INPUT VOLTAGE: 120~277Vac \pm 10%	DIMMING: 0-10V
INPUT FREQUENCY: 50/60 Hz	WARRANTY: 5 Years

ELECTRICAL SPECIFICATIONS

Input Voltage Range	120~277Vac \pm 10%
Frequency	50/60 Hz
Power Factor	> 0.9 under 120~277Vac input with 80~100% load condition (For All Output Currents)
Inrush Current	30A @120V
Max. Input Current	0.92A @120V, 0.44A @240V and 0.41A @277V
THD	< 20% under 120~277Vac input with 80~100% load condition (For All Output Currents)
Load Regulation	\pm 2%
Line Regulation	\pm 1%
Output Tolerance	\pm 5% at Full Load Condition
Turn-On Delay Time	< 1s at Full Load Condition
Overshoot	< 10% at Full Load Condition
No Load Power Consumption	< 2W
Ripple & Noise (pk-pk)	< 3%
Withstand Voltage	Input to output, 2,800Vdc, 2mA
Leakage Current	Maximum 0.5mA at 277Vac, 60Hz input
Protection	<ul style="list-style-type: none"> • Over Voltage Protection: Hiccup mode. Protection will trigger when load voltage exceeds specified output voltage and will auto recover after the fault mode is removed. • Over Current Protection: Hiccup mode. Protection will trigger when load current exceeds specified output current and will auto recover after the fault mode is removed. • Short Circuit Protection: Hiccup mode. Protection will trigger when short circuited and will auto recover after the fault mode is removed. • Over Temperature Protection: Protection will trigger when driver overheat and auto-recovery when cooled down.

ENVIRONMENTAL SPECIFICATIONS

Operating Temperature	-40 to 60°C
Storage Temperature	-40 to 85°C
Humidity	5% to 95%
MTBF	299,000 hours at 40°C ambient (~70°C Case temp)
Life Rating	80,000 hours at 120Vac input, 100% load and 60°C case temperature
Maximum Case Temperature	90°C

SAFETY AND EMC COMPLIANCE

UL/cUL	UL 8750, Class P, Type HL
CE	EN61347-1, EN61347-2-13
FCC, 47CFR Part 15	ANSI C63.4:2009 Class B (Consumer Limit)
EN61000-3-2	Harmonic Current Emissions Class C



KTLD-80-UV-XXX-VDIM-L5

CONSTANT CURRENT LED DRIVER

PRODUCT SPECIFICATIONS

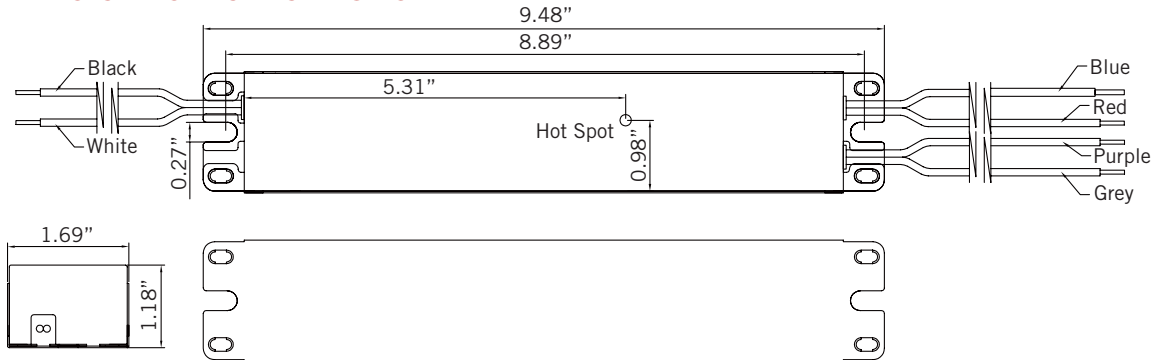
Catalog Number	Max. Output Power	Output Current	Output Voltage	OCV	Typical Efficiency at 120V	Typical Efficiency at 240V	Typical Efficiency at 277V	Remote Mounting Distance (#18 AWG)	Class 2	
									US	Canada
KTLD-80-UV-500-VDIM-L5	80W	500mA	80-160V	162V	85%	86%	87%	74 ft		
KTLD-80-UV-600-VDIM-L5	80W	600mA	67-133V	135V	85%	86%	87%	62 ft		
KTLD-80-UV-700-VDIM-L5	80W	700mA	57-114V	116V	85%	86%	87%	53 ft		
KTLD-80-UV-800-VDIM-L5	80W	800mA	50-100V	102V	85%	86%	87%	46 ft		
KTLD-80-UV-900-VDIM-L5	80W	900mA	44-89V	91V	85%	86%	87%	41 ft		
KTLD-80-UV-1000-VDIM-L5	80W	1000mA	40-80V	82V	85%	86%	87%	37 ft		
KTLD-80-UV-1100-VDIM-L5	80W	1100mA	36-73V	75V	85%	86%	86%	34 ft		
KTLD-80-UV-1200-VDIM-L5	80W	1200mA	33-67V	69V	85%	86%	86%	31 ft		
KTLD-80-UV-1300-VDIM-L5	80W	1300mA	31-62V	64V	85%	86%	86%	28 ft		
KTLD-80-UV-1400-VDIM-L5	80W	1400mA	29-57V	59V	85%	86%	86%	26 ft	✓	
KTLD-80-UV-1500-VDIM-L5	80W	1500mA	27-53V	55V	85%	86%	86%	24 ft	✓	
KTLD-80-UV-1600-VDIM-L5	80W	1600mA	25-50V	52V	85%	86%	86%	23 ft	✓	
KTLD-80-UV-1700-VDIM-L5	80W	1700mA	24-47V	49V	85%	86%	86%	22 ft	✓	
KTLD-80-UV-1800-VDIM-L5	80W	1800mA	22-44V	46V	85%	86%	86%	20 ft	✓	
KTLD-80-UV-1900-VDIM-L5	80W	1900mA	21-42V	44V	85%	86%	86%	19 ft	✓	
KTLD-80-UV-2000-VDIM-L5	80W	2000mA	20-40V	42V	85%	86%	86%	18 ft	✓	✓
KTLD-80-UV-2100-VDIM-L5	80W	2100mA	19-38V	40V	84%	85%	85%	17 ft	✓	✓
KTLD-80-UV-2200-VDIM-L5	80W	2200mA	18-36V	38V	84%	85%	85%	17 ft	✓	✓
KTLD-80-UV-2300-VDIM-L5	80W	2300mA	17-35V	37V	84%	85%	85%	16 ft	✓	✓
KTLD-80-UV-2400-VDIM-L5	80W	2400mA	17-33V	35V	84%	85%	85%	15 ft	✓	✓
KTLD-80-UV-2500-VDIM-L5	80W	2500mA	16-32V	34V	84%	85%	85%	14 ft	✓	✓
KTLD-80-UV-2600-VDIM-L5	80W	2600mA	15-31V	33V	84%	85%	85%	14 ft	✓	✓
KTLD-80-UV-2700-VDIM-L5	80W	2700mA	15-30V	32V	84%	85%	85%	13 ft	✓	✓
KTLD-80-UV-2800-VDIM-L5	80W	2800mA	14-29V	31V	84%	85%	85%	13 ft	✓	✓
KTLD-80-UV-2900-VDIM-L5	80W	2900mA	14-28V	30V	84%	85%	85%	12 ft	✓	✓
KTLD-80-UV-3000-VDIM-L5	80W	3000mA	13-27V	29V	84%	85%	85%	12 ft	✓	✓



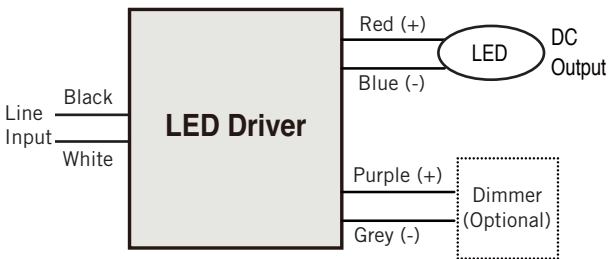
KTLD-80-UV-XXX-VDIM-L5

CONSTANT CURRENT LED DRIVER

PHYSICAL SPECIFICATIONS



WIRING DIAGRAM



WIRING SPECIFICATIONS

INPUT	12", UL 1316 #18AWG (Black and White)
OUTPUT	12", UL 1316 #18AWG (Red and Blue)

ORDERING INFORMATION

ORDER CODE	PACKAGING STYLE	PACK QTY.	ITEM STATUS
KTLD-80-UV-XXX-VDIM-L5-CP	Carton Pack	TBD	Quick Ship

CATALOG NUMBER BREAKDOWN

KTLD-80-UV-XXX-VDIM-L5-CP

