



KTLD-80-UV-XXX-VDIM-W3

CONSTANT CURRENT LED DRIVER



DESCRIPTION

LED Driver | 80W | 120-277V Input | 1320-1870mA Output

TOTAL POWER: 80W	OUTPUT CURRENT: 1320-1870mA
INPUT VOLTAGE: 120-277Vac ±10%	DIMMING: 0-10V
INPUT FREQUENCY: 50/60 Hz	WARRANTY: 5 Years

ELECTRICAL SPECIFICATIONS

Input Voltage Range	120~277Vac ± 10%
Frequency	50/60 Hz
Power Factor	> 0.9 under 120~277Vac input with 80~100% Load Condition (For All Output Currents)
Inrush Current	20A @230V
Max. Input Current	0.81A @120V, 0.42A @240V and 0.36A @277V
THD	< 20% under 120~277Vac input with 80~100% Load Condition (For All Output Currents)
Load Regulation	± 2%
Line Regulation	± 1%
Voltage Tolerance	± 5% at Full Load Condition
Turn-On Delay Time	< 2s at Full Load Condition
Overshoot	< 10% at Full Load Condition
No Load Power Consumption	< 2.5W
Ripple and Noise (pk-pk)	< 3%
Withstand Voltage	Input to output, 2,800Vdc, 2mA
Leakage Current	Maximum 0.5mA at 277Vac, 60Hz input
Protection	<ul style="list-style-type: none"> • Over Voltage Protection: Hiccup mode. Protection will trigger when load voltage exceeds specified output voltage and will auto recover after the fault mode is removed. • Over Current Protection: Hiccup mode. Protection will trigger when load current exceeds specified output current and will auto recover after the fault mode is removed. • Short Circuit Protection: Hiccup mode. Protection will trigger when short circuited and will auto recover after the fault mode is removed. • Over Temperature Protection: Protection will trigger when driver overheats and auto-recovery when cooled down.

PRODUCT SPECIFICATIONS

Catalog Number	Max. Output Power	Output Current	Output Voltage	OCV	Typical Efficiency at 120V	Typical Efficiency at 240V	Typical Efficiency at 277V	Remote Mounting Distance (#18 AWG)	Class 2	
									US	Canada
KTLD-80-UV-1320-VDIM-W3	80W	1320mA	29-58V	59V	90%	92%	92%	29 ft	✓	
KTLD-80-UV-1400-VDIM-W3	80W	1400mA	28-56V	57V	90%	92%	92%	27 ft	✓	
KTLD-80-UV-1500-VDIM-W3	80W	1500mA	26-52V	53V	90%	92%	92%	25 ft	✓	
KTLD-80-UV-1600-VDIM-W3	80W	1600mA	24-49V	50V	90%	92%	92%	24 ft	✓	
KTLD-80-UV-1700-VDIM-W3	80W	1700mA	23-46V	47V	90%	92%	92%	22 ft	✓	
KTLD-80-UV-1800-VDIM-W3	80W	1800mA	21-42V	43V	90%	92%	92%	21 ft	✓	✓
KTLD-80-UV-1870-VDIM-W3	80W	1870mA	21-41V	42V	90%	92%	92%	20 ft	✓	✓

ENVIRONMENTAL SPECIFICATIONS

Operating Temperature	-40 to 60°C
Storage Temperature	-40 to 85°C
Humidity	5% to 95%
MTBF	117,000 hours at 40°C ambient (~70°C Case temp)
Life Rating	85,000 hours at 120Vac input, 100% load and 60°C case temperature
Maximum Case Temperature	90°C

SAFETY AND EMC COMPLIANCE

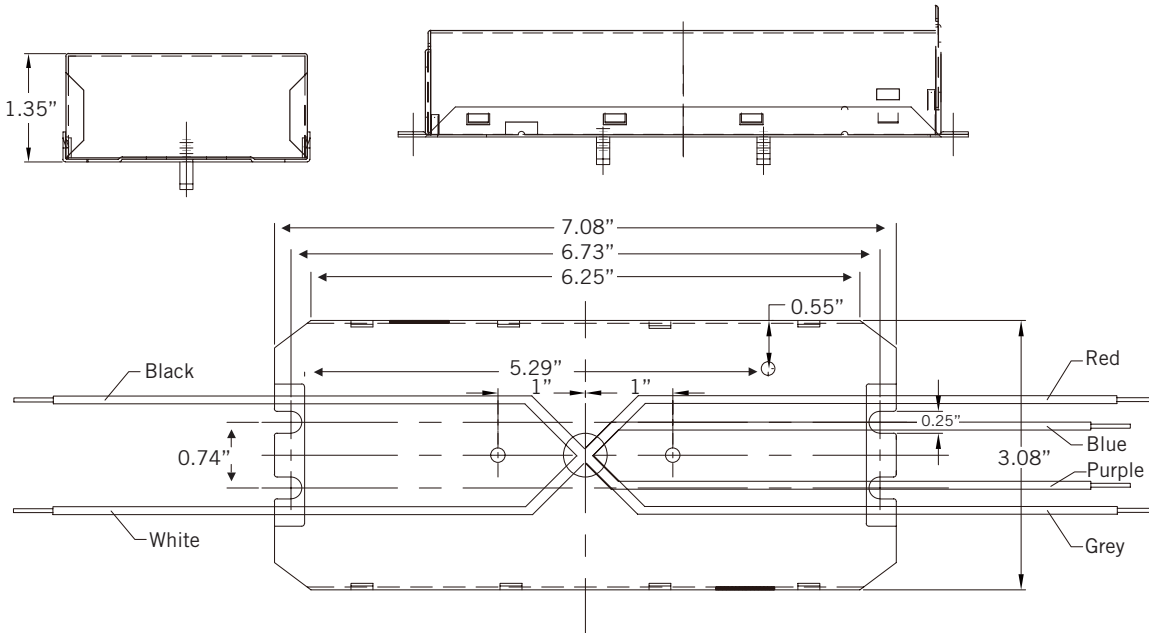
UL/cUL	UL 8750; Type TL
CE	EN61347-1, EN61347-2-13
FCC, 47CFR Part 15	ANSI C63.4:2009 Class B (Consumer Limit)
EN61000-3-2	Harmonic Current Emissions Class C



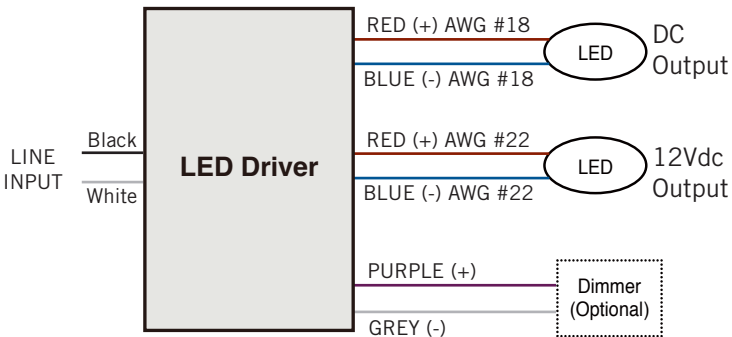
KTLD-80-UV-XXX-VDIM-W3

CONSTANT CURRENT LED DRIVER

PHYSICAL SPECIFICATIONS



WIRING DIAGRAM



WIRING SPECIFICATIONS

INPUT	12", UL 1316 #18AWG (Black and White)
OUTPUT	Main: 12", UL 1316 #18AWG (Red and Blue) Aux: 12", UL 1430 #22AWG (Red and Blue)

ORDERING INFORMATION

ORDER CODE	PACKAGING STYLE	PACK QTY.	ITEM STATUS
KTLD-80-UV-XXX-VDIM-W3-CP	Carton Pack	TBD	Quick Ship

CATALOG NUMBER BREAKDOWN

