



KTLD-25-1P-700-AF4

LED DRIVER



Constant current LED driver
Total power: 25W
Input voltage: 120Vac \pm 10%
Number of outputs: One
UL 8750
IP20 design for dry and damp location
5 year warranty



ELECTRICAL SPECIFICATIONS

Input voltage range:	120Vac \pm 10%
Frequency:	50/60Hz
Power factor:	> 0.7 under 120Vac input with 80~100% load condition (for all output currents)
Inrush current:	10A @120V
Max input current:	0.3A @120V
THD:	< 100% under 120Vac input with 80~100% load condition (for all output currents)
Load Regulation:	\pm 2%
Line Regulation:	\pm 1%
Voltage Tolerance:	\pm 5% at full load condition
Turn-on Delay Time:	< 0.75s at full load condition
Overshoot:	< 10% at full load condition
No Load Power Consumption:	< 2W
Ripple & Noise (pk-pk):	< 10%
Withstand voltage:	Input to output, 2,800Vdc, 2mA
Leakage current:	Maximum 0.5mA at 120Vac, 60Hz input
Protection:	Over voltage protection: Hiccup mode. Protection will trigger when load voltage exceed specified output voltage and will auto recover after the fault mode is removed. Over current protection: Hiccup mode. Protection will trigger when load current exceed specified output current and will auto recover after the fault mode is removed. Short circuit protection: Hiccup mode. Protection will trigger when short circuit and will auto recover after the fault mode is removed.

ENVIRONMENTAL SPECIFICATIONS

Operating temperature:	-40 to 60°C
Storage temperature:	-40 to 85°C
Humidity:	5% to 95%
MTBF:	440,000 hours at 40°C ambient (~70°C Case temp)
Life rating:	82,500 hours at 120Vac input, 100% load and 60°C case temperature
Maximum case Temperature :	90°C

SAFETY AND EMC COMPLIANCE

UL/cUL	UL 8750
CE	EN61347-1, EN61347-2-13
FCC, 47CFR Part 15	ANSI C63.4:2009 Class B (Consumer Limit)
EN61000-3-2	Harmonic Current Emissions Class C



KTLD-25-1P-700-AF4

LED DRIVER

PRODUCT SPECIFICATIONS

Model Number	Max output power	Output Current	Output Voltage	OCV	Efficiency at 120V (Typ.)	Remote mounting distance (#18 AWG)	Class 2	
							US	Canada
KTLD-25-1P-700-AF4	25W	700mA	18-36V	37V	85%	54 ft	✓	✓

PHYSICAL DIMENSIONS

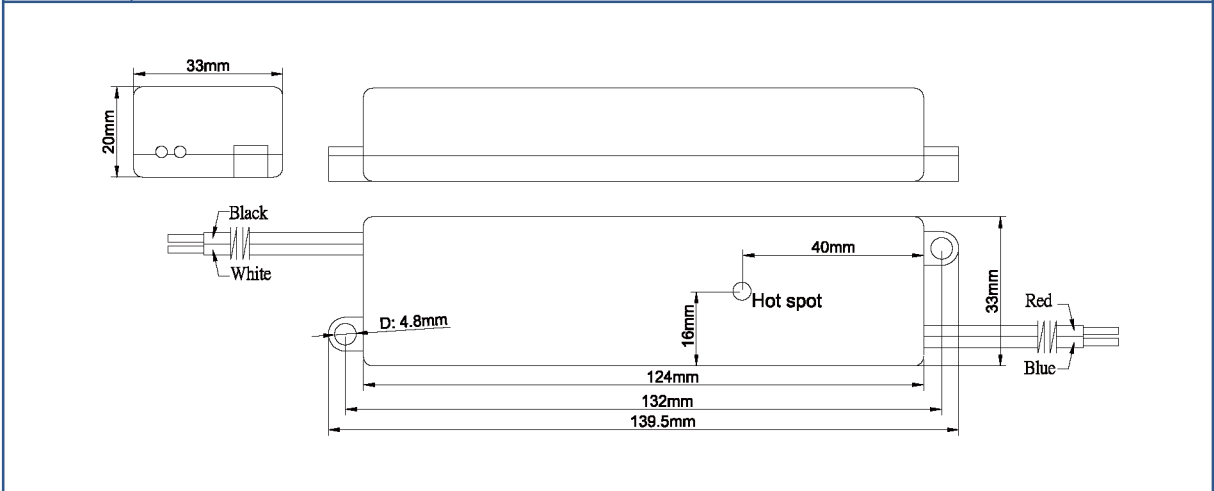
Length (L):	5.49" (139.5mm)
Width (W):	1.30" (33mm)
Height (H):	0.79" (20mm)
Mounting (M):	5.20" (132mm)

PACKAGING

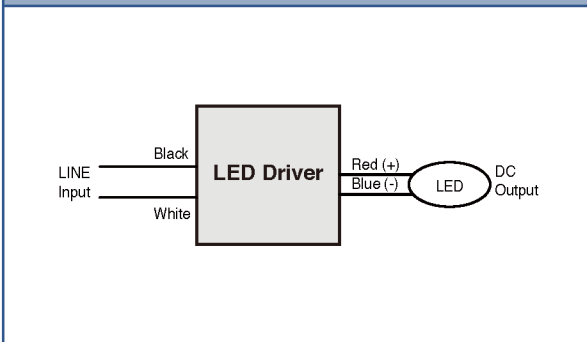
0.14kg / unit ; 40pcs / carton ; 3,120pcs / pallet
Carton size: 330 x 200 x 135 mm
Carton weight: 6 kg
Case Material: Plastic

WIRE SPECIFICATIONS

Input:	12", UL 1569 #18AWG (Black and White)
Output:	12", UL 1569 #18AWG (Red and Blue)



WIRING DIAGRAM

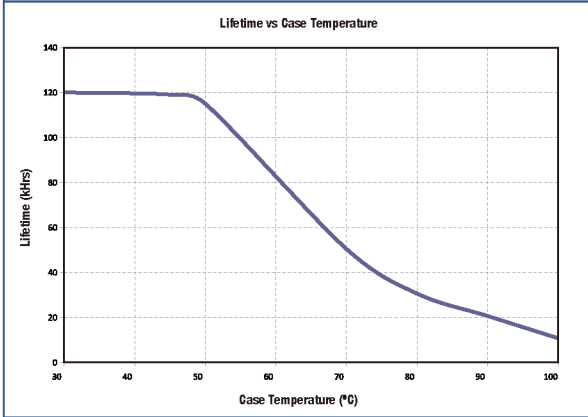




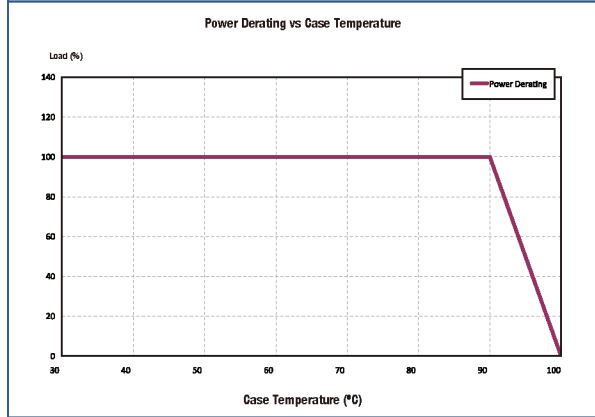
KTLD-25-1P-700-AF4

LED DRIVER

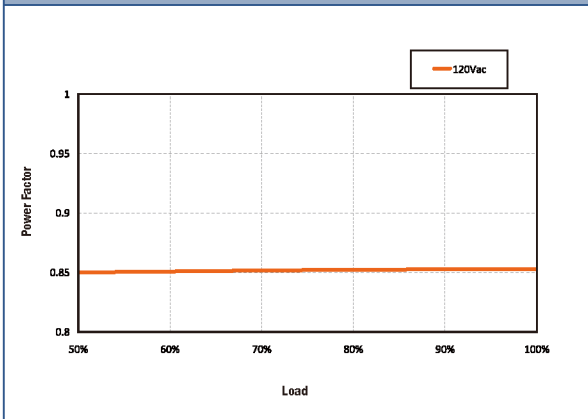
LIFETIME vs CASE TEMPERATURE



POWER DERATING vs CASE TEMPERATURE



POWER FACTOR vs LOAD



EFFICIENCY vs LOAD

