



# KTLD-SC-PGMR-1

## PROGRAMMING ACCESSORIES

### DESCRIPTION

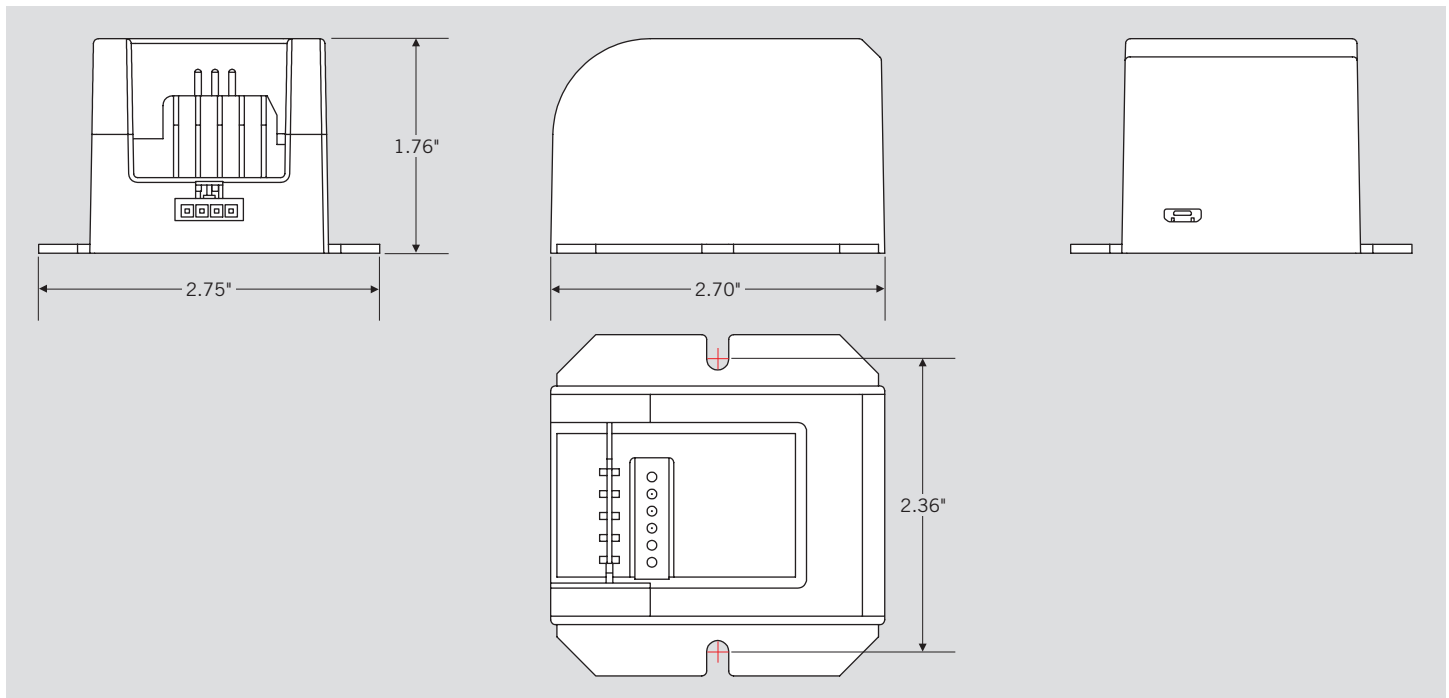
Smart Current Cradle I Programming Jig for  
Keystone Smart Current LED Driver, U5 and U4 Case

### APPLICATION

Cradle connects the driver to Smart Current PC software via USB  
(cable included)



### PHYSICAL SPECIFICATIONS



### CATALOG NUMBER BREAKDOWN

# KTLD-SC-PGMR-1

1      2      3      4

- 1 Keystone Technologies LED Driver
- 2 Smart Current
- 3 Programmer
- 4 Revision 1