



KT-LEDXXA21-0-E26-8XX

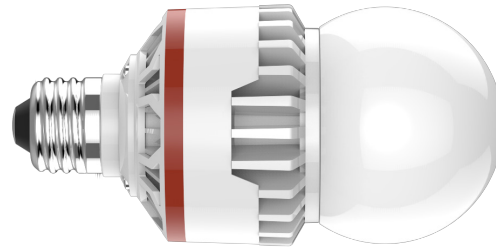
REPLACEMENT LAMP

DESCRIPTION

14–20W Commercial A21 Lamp | 2700–5000K | >80 CRI | Omni-Directional



LAMP TYPE: Commercial A21
BASE TYPE: E26 (Medium)
WATTAGE: 14–20W
COLOR TEMPERATURE: 2700–5000K
COLOR RENDERING INDEX (CRI): > 80
WARRANTY: 5 Years



PRODUCT FEATURES

- Up to 75% energy saving compared to legacy equivalent lamps
- Can be used in base-up or base-down position
- Rated for open and enclosed fixtures
- Large metal heatsink for optimal heat dissipation
- THD < 20%
- PF > 0.90
- Operating temperature range –4°F/–20°C to 113°F/45°C; 95°F/35°C max for fully enclosed fixture
- Ideal for post top, bollards, and outdoor corridor lighting
- Suitable for dry and damp location
- Meets Energy Star requirements
- UL 1993 and 1598C Rated pending

ELECTRICAL AND PERFORMANCE SPECIFICATIONS

Keystone Catalog Number	Description	Color Temp	Input Voltage	Rated Lamp Wattage	Legacy Equivalent Wattage	Base Type	Lumens	CRI	Light Distribution	Dimmable	Efficacy
KT-LED14A21-0-E26-827	Commercial A21 bulb. Universal input voltage, Omni-directional, Non-dimmable	2700K	120–277V	14W	100W incand.	E26	1760 L	>80	340	No	126 lm/W
KT-LED14A21-0-E26-830	Commercial A21 bulb. Universal input voltage, Omni-directional, Non-dimmable	3000K	120–277V	14W	100W incand.	E26	1790 L	>80	340	No	128 lm/W
KT-LED14A21-0-E26-840	Commercial A21 bulb. Universal input voltage, Omni-directional, Non-dimmable	4000K	120–277V	14W	100W incand.	E26	1900 L	>80	340	No	136 lm/W
KT-LED14A21-0-E26-850	Commercial A21 bulb. Universal input voltage, Omni-directional, Non-dimmable	5000K	120–277V	14W	100W incand.	E26	1960 L	>80	340	No	140 lm/W
KT-LED20A21-0-E26-827	Commercial A21 bulb. Universal input voltage, Omni-directional, Non-dimmable	2700K	120–277V	20W	150W incand.	E26	2500 L	>80	340	No	125 lm/W
KT-LED20A21-0-E26-830	Commercial A21 bulb. Universal input voltage, Omni-directional, Non-dimmable	3000K	120–277V	20W	150W incand.	E26	2540 L	>80	340	No	127 lm/W
KT-LED20A21-0-E26-840	Commercial A21 bulb. Universal input voltage, Omni-directional, Non-dimmable	4000K	120–277V	20W	150W incand.	E26	2720 L	>80	340	No	136 lm/W
KT-LED20A21-0-E26-850	Commercial A21 bulb. Universal input voltage, Omni-directional, Non-dimmable	5000K	120–277V	20W	150W incand.	E26	2760 L	>80	340	No	138 lm/W
KT-LED20A21-0-E26-827-DIM	Commercial A21 Bulb. Omni-directional, TRIAC dimmable	2700K	120V	20W	150W incand.	E26	2460 L	>80	340	Yes	123 lm/W
KT-LED20A21-0-E26-830-DIM	Commercial A21 Bulb. Omni-directional, TRIAC dimmable	3000K	120V	20W	150W incand.	E26	2500 L	>80	340	Yes	125 lm/W
KT-LED20A21-0-E26-840-DIM	Commercial A21 Bulb. Omni-directional, TRIAC dimmable	4000K	120V	20W	150W incand.	E26	2620 L	>80	340	Yes	131 lm/W
KT-LED20A21-0-E26-850-DIM	Commercial A21 Bulb. Omni-directional, TRIAC dimmable	5000K	120V	20W	150W incand.	E26	2660 L	>80	340	Yes	133 lm/W

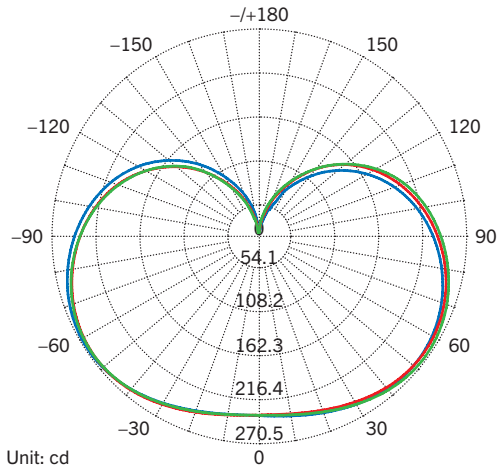


KT-LEDXXA21-0-E26-8XX

REPLACEMENT LAMP

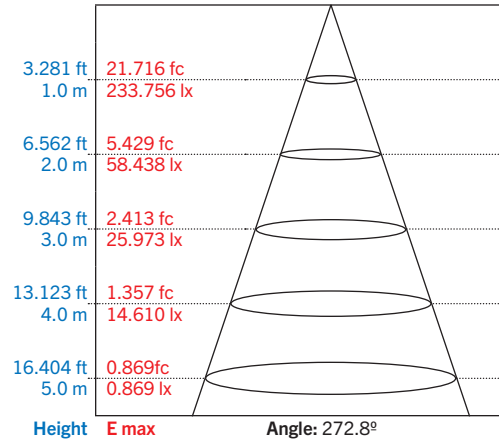
OPERATING SPECIFICATIONS

POLAR CANDELA DISTRIBUTION



C Plane	50% MaxAng.	10% MaxAng.
■ C240.0_60.0	272.8	343.2
■ C0.0_180.0	272.5	342.3
■ C90.0_270.0	273.0	342.8

LUX DISTANCE CURVE

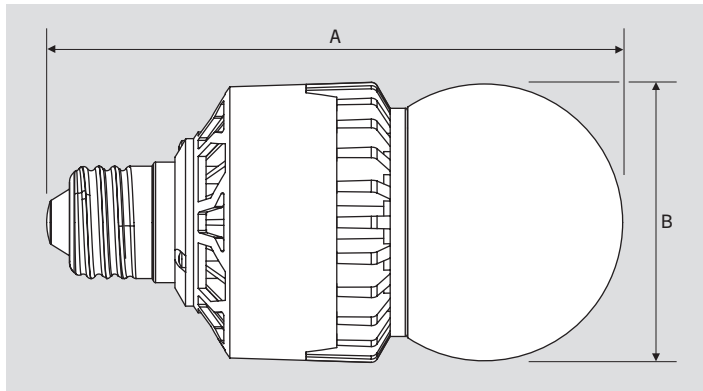


Note: The curves indicate the illuminated area and the average illumination when the luminaire is at a different distance.

RATED LIFE

L70 (Hours)	25,000
-------------	--------

PHYSICAL CHARACTERISTICS



LAMP DIMENSIONS

A (Length)	5.26"
B (Diameter)	2.56"

BASE TYPE: E26 (Medium)

PACKAGING

Carton Quantity	24 pcs
Carton Dimensions	11.6" × 13.38" × 15"
Carton Weight	19.1 lbs



KT-LEDXXA21-O-E26-8XX

REPLACEMENT LAMP

ORDERING INFORMATION

CATALOG NUMBER	PACK QTY.	EASY CODE	UPC
KT-LED14A21-O-E26-827	24 pcs	MKD-50	843654122700
KT-LED14A21-O-E26-830	24 pcs	LTE-35	843654122717
KT-LED14A21-O-E26-840	24 pcs	XEF-64	843654122724
KT-LED14A21-O-E26-850	24 pcs	XOI-75	843654122731
KT-LED20A21-O-E26-827	24 pcs	GAU-17	843654122748
KT-LED20A21-O-E26-830	24 pcs	SXF-69	843654122755
KT-LED20A21-O-E26-840	24 pcs	OPF-90	843654122762
KT-LED20A21-O-E26-850	24 pcs	XJH-40	843654122779
KT-LED20A21-O-E26-827-DIM	24 pcs	CLA-73	843654122786
KT-LED20A21-O-E26-830-DIM	24 pcs	JRC-19	843654122793
KT-LED20A21-O-E26-840-DIM	24 pcs	TMJ-80	843654122809
KT-LED20A21-O-E26-850-DIM	24 pcs	QHI-50	843654122816

CATALOG NUMBER BREAKDOWN

KT-LEDXXA21-O-E26-8XX

1 2 3 4 5 6 7 8

- 1 Keystone Technologies
- 2 LED Lamp
- 3 Wattage
- 4 Lamp Style
- 5 Omni-Directional
- 6 Base Type
- 7 800 Series
- 8 Color Temperature